

Solid State PIN Control Products



0.5-18 GHz

Custom Multi-Throw Absorptive PIN Diode Switches

- Custom Capability
- Reflective and Absorptive
- Couplers, Power Dividers and Amplifiers included
- Hermetically Sealed
- Full MIL Specifications

Specifications

SMA (F), 0.5 to 18 GHz

| FREQUENCY RANGE (GHz) | TYPE | SWITCHING TIME COMMUTATION* (ns) | INSERTION LOSS (dB max.) | | VSWR (max.) | ISOLATION (dB min.) | POWER HANDLING (mW) | POWER SUPPLY REQUIREMENTS | |
|-----------------------|----------|----------------------------------|--------------------------|--------------|-------------|---------------------|---------------------|---------------------------|-----------|
| | | | 1-12 GHz | 12-18 GHz | | | | mA @+5 V | mA @-12 V |
| 1-18 | SP8T | 50 | 4.5 | 5 | 2.20 | 60 | 200 | 250 | 150 |
| 1-18 | SP10T | 500 | 4.3 | 5.6 | 2.20 | 60 | 500 | 270 | 150 |
| 6-18 | SP12T** | 700 | 5 | 7 | 2.20 | 60 | 200 | 300 | 150 |
| 0.02-4 | SP16T † | 3500 | 4 @ 4 GHz | — | 2.00 | 60 | 200 | 300 | 50 |
| 0.5-18 | SP25T †† | 2000 | 3.5 @ 0.5 GHz | 7.5 @ 18 GHz | 2.25 | 60 | 200 | 220 | 50 |

* 50% TTL to 10% or 90% RF:
Port X ON to OFF, Port Y OFF to ON
OR
Port X OFF to ON, Port Y ON to OFF

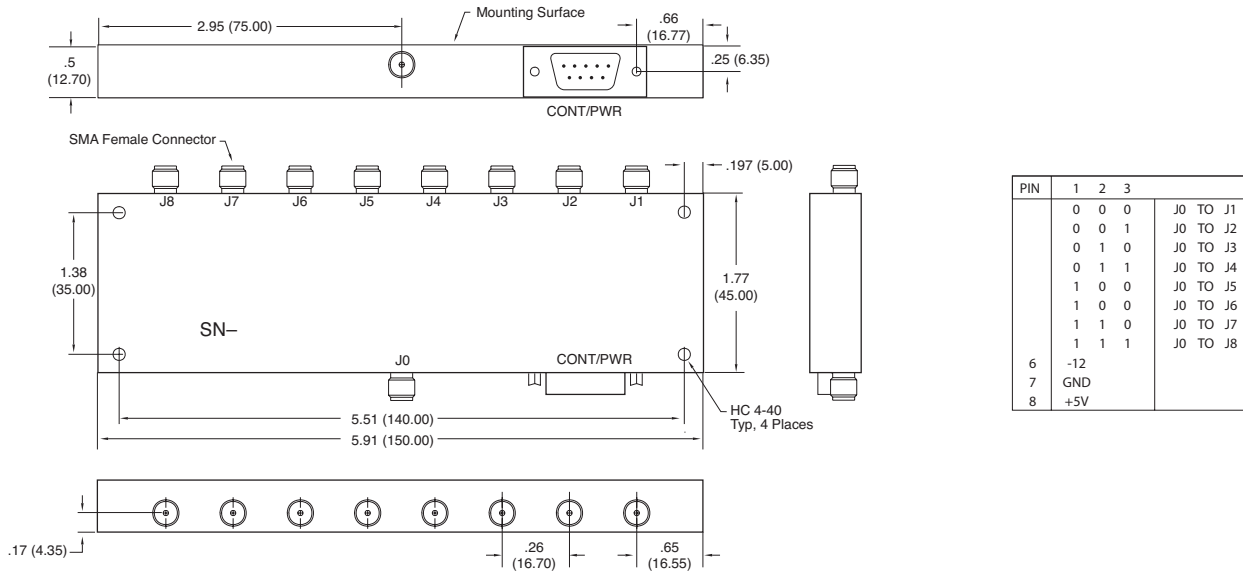
** Amplitude matched

† Built in coupler and amplifier

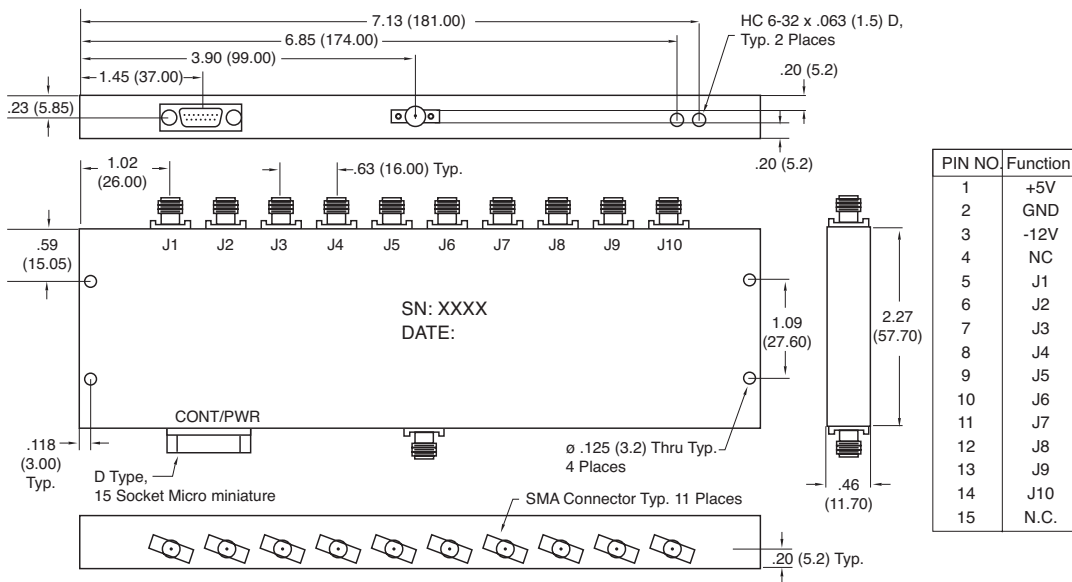
†† Built in output coupler

Solid State PIN Control Products

Outline Drawings



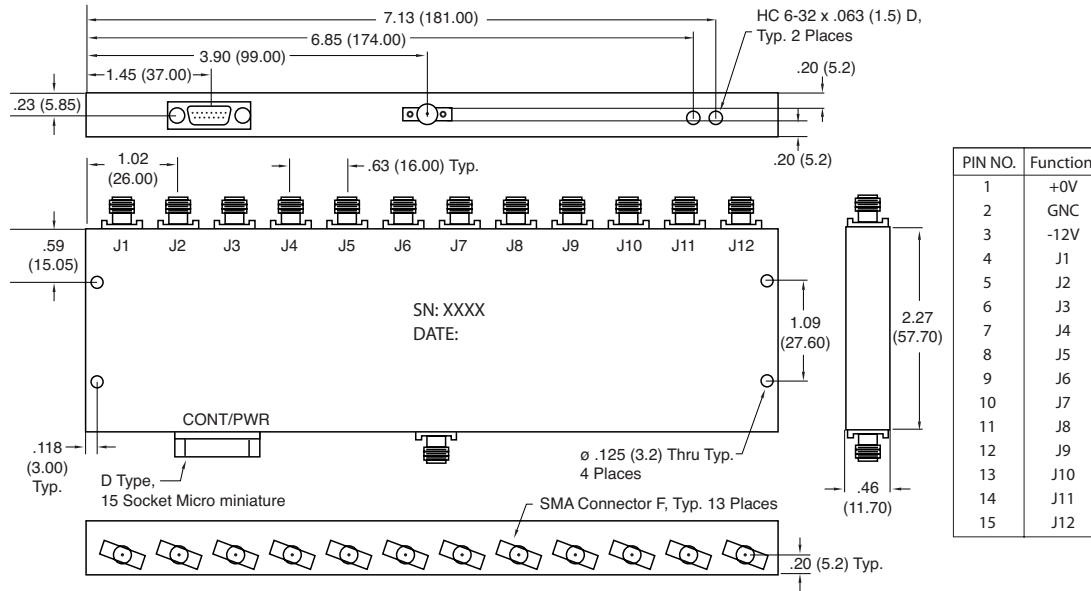
SP8T



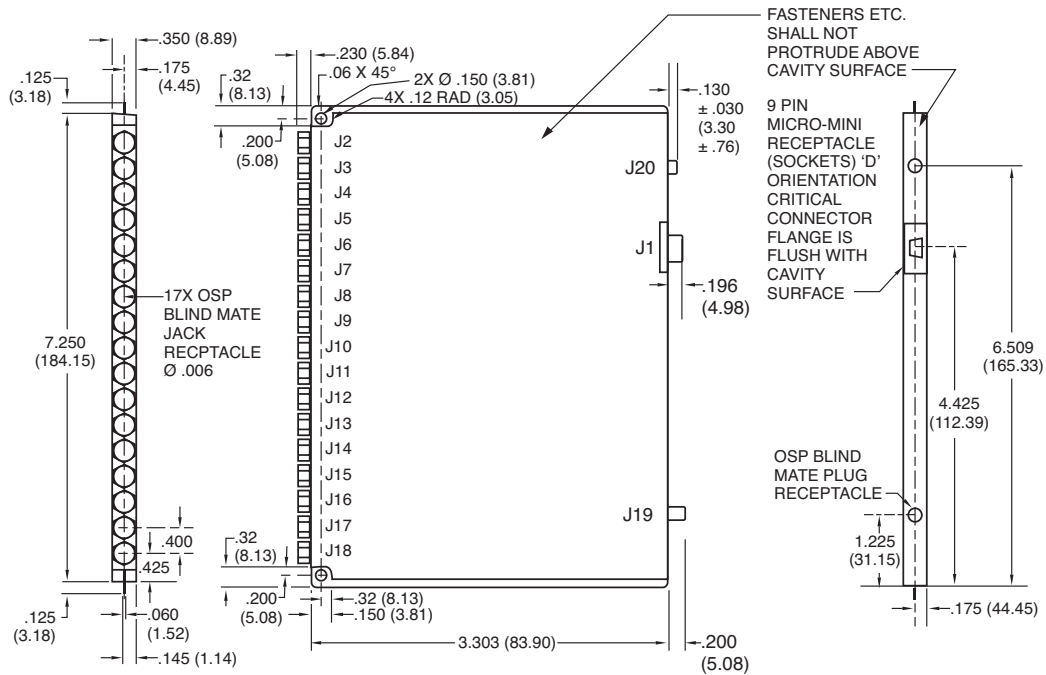
SP10T

Dimensions in inches (mm in parentheses), unless otherwise specified.

Solid State PIN Control Products



SP12T



SP18T

Dimensions in inches (mm in parentheses), unless otherwise specified.