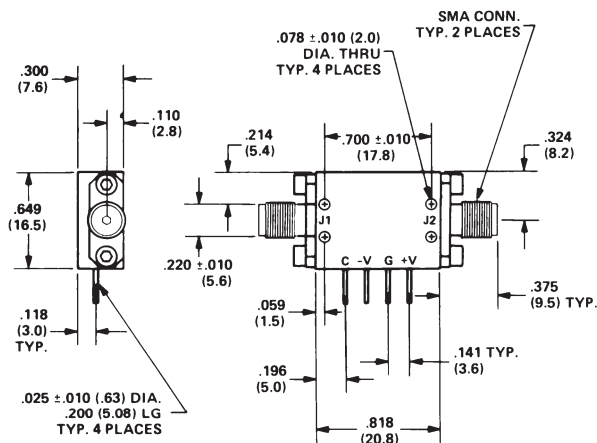


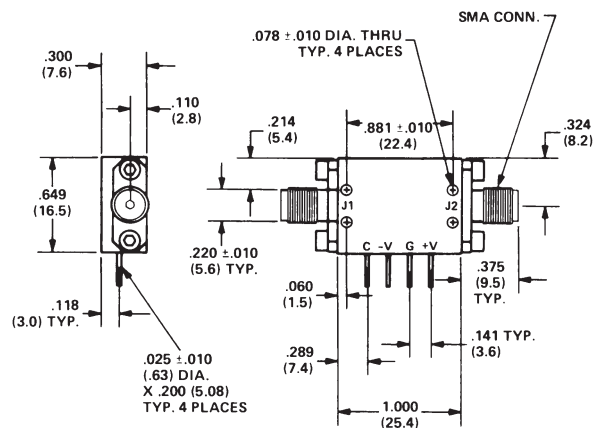
Solid State PIN Control Products

Outline Drawings



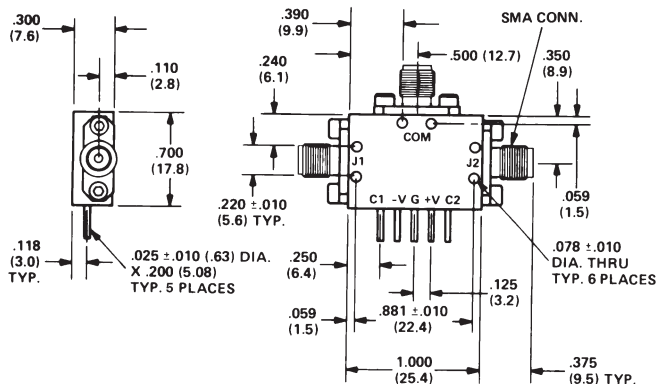
TOL: XX = ± .02 (.50)
XXX = ± .005 (.12)

SP213DHS, SP213DHTS, SP212DHTS, SP212DHS



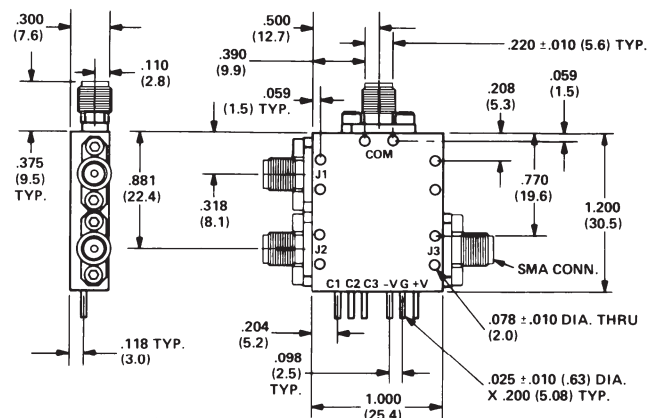
TOL: XX = ± .02 (.50)
XXX = ± .005 (.12)

SP213DHS-80, SP213DHTS-80, SP212DHS-80



TOL: XX = ± .02 (.50)
XXX = ± .005 (.12)

SP123DHS, SP123DHTS, SP122DHTS, SP122DHS



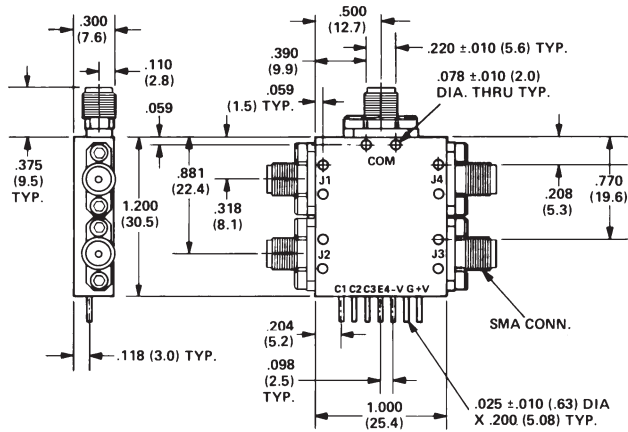
TOL: XX = ± .02 (.50)
XXX = ± .005 (.12)

SP133DHS, SP133DHTS, SP132DHTS, SP132DHS

Dimensions in inches (mm in parentheses), unless otherwise specified.

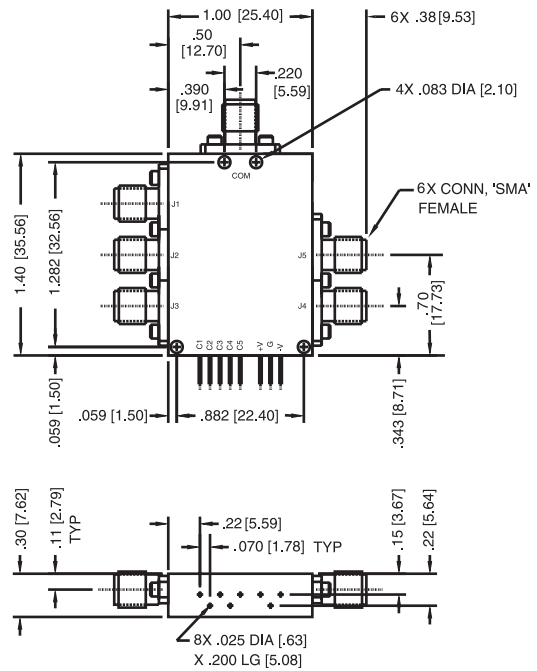
Solid State PIN Control Products

Outline Drawings



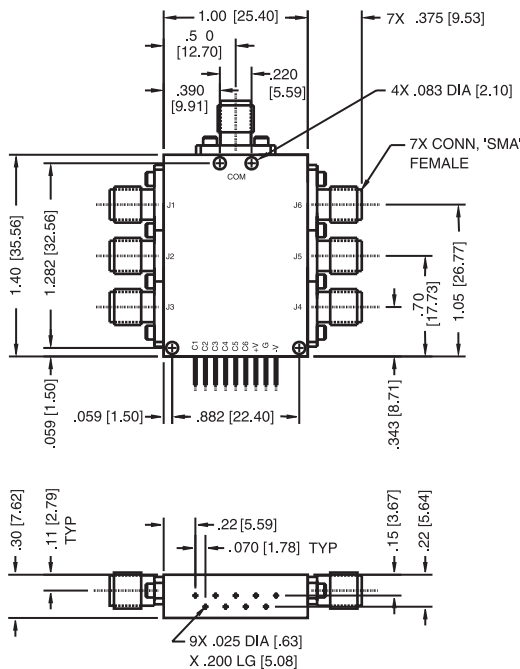
TOL: XX = ±.02 (.50)
XXX = ±.005 (.12)

SP143DHS, SP143DHTS, SP142DHTS, SP142DHS



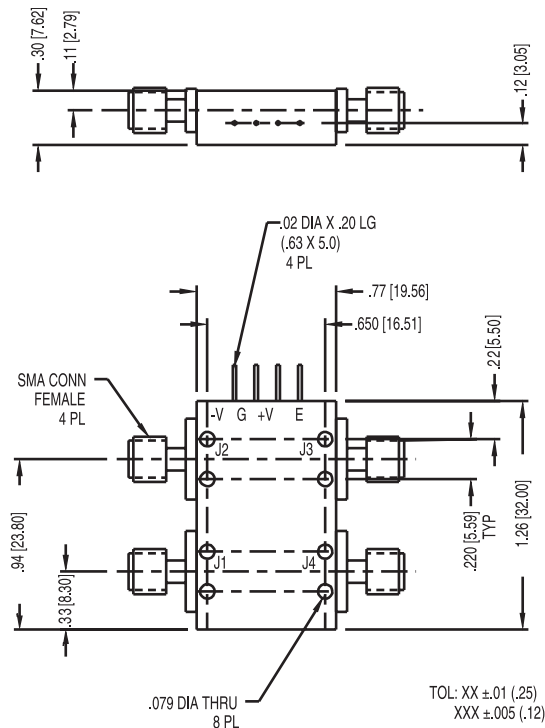
TOL: XX ±.02 [.51]
XXX ±.005 [.12]

SP153DHS, SP153DHTS, SP152DHTS, SP152DHS



TOL: XX ±.02 [.51]
XXX ±.005 [.12]

SP163DHS, SP163DHTS, SP162DHTS, SP162DHS



TOL: XX ±.01 (.25)
XXX ±.005 (.12)

XSP323DHS

Dimensions in inches (mm in parentheses), unless otherwise specified.