



2-18 GHz

## 3-Way Power Dividers

- True 3-Way Power Dividers
- Octave Band Frequency Coverage
- Small Size
- High Isolation Between Output Ports

### Specifications

SMA (F), 3-Way, 2 to 6 GHz, 1W

FREQUENCY RANGE (GHz)	MODEL	VSWR INPUT (max.)			VSWR OUTPUT (max.)	INSERTION LOSS (dB)			ISOLATION (dB min.)			AMPLITUDE BALANCE (dB)	PHASE BALANCE (max.)	AVERAGE* POWER (W)	WEIGHT	
		2-3	3-5	5-6		2-3	3-5	5-6	2-3	3-5	5-6				oz.	gr.
2-6	4323-3	2.0	1.5	2.0	1.5	0.9	0.5	0.9	13	15	13	0.4	8°	1	.96	27

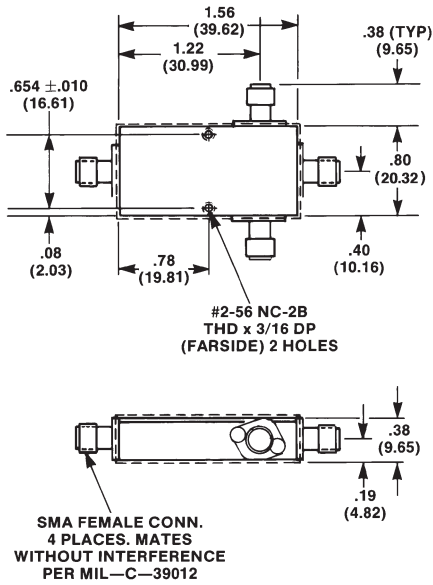
SMA (F), 3-Way, 6 to 18 GHz, 1W

FREQUENCY RANGE (GHz)	MODEL	VSWR INPUT (max.)			VSWR OUTPUT (max.)		INSERTION LOSS (dB)		ISOLATION (dB min.)			AMPLITUDE BALANCE (dB)		PHASE BALANCE (max.)	AVERAGE POWER (W)	WEIGHT	
		6-7.5	7.5-15.6	15.6-18	6-17	17-18	6-17	17-18	6-7	7-17	17-18	6-17	17-18			oz.	gr.
6-18	4326-3	2.0	1.5	2.0	1.5	2.0	0.9	1.2	14	15	12	0.4	0.5	9°	1	.63	18

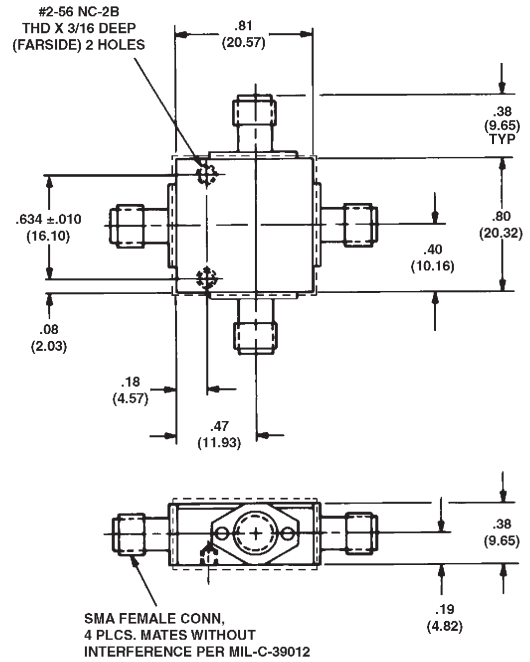
\* Power Rating into 2 to 1 VSWR Load

# Power Dividers

## Outline Drawings



MODEL 4323-3



MODEL 4326-3

Allow .020 for sealant build-up per surface.  
 Dimensions in inches (mm in parentheses), unless otherwise specified.