

Phase Shifters



DC-18 GHz

Broadband Phase Shifters

- Broadband Coverage
- Low VSWR
- Adjustable via Micrometer Drive or Knob with Lock Nut (model-dependent)

Specifications

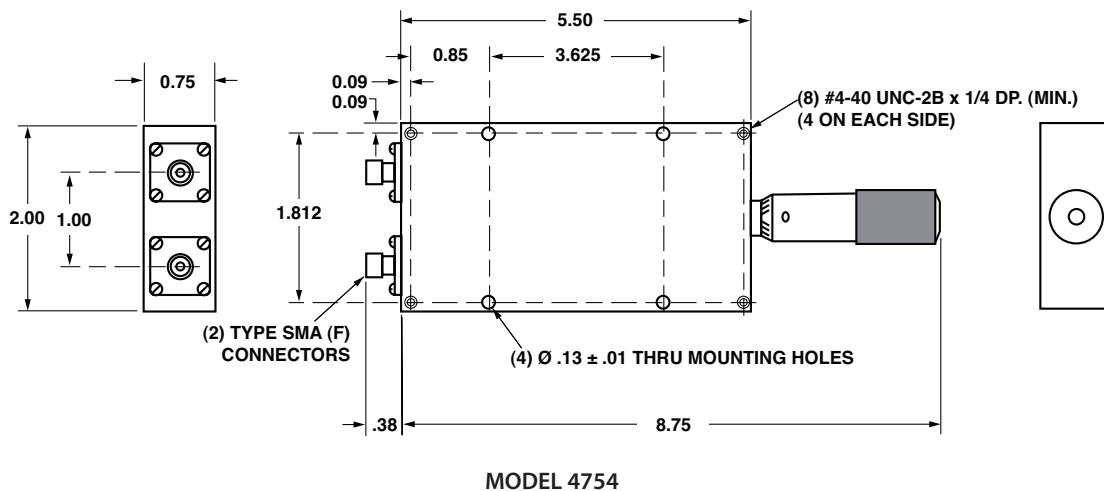
SMA (F), DC to 18 GHz

| FREQUENCY RANGE (GHz) | MODEL | MINIMUM PHASE SHIFT | POWER | | INSERTION LOSS (dB max.) | VSWR (max.) | CONNECTORS | WEIGHT (max.) | |
|-----------------------|--------|----------------------------|-------------|-----------|--------------------------|----------------|------------|---------------|-----|
| | | | AVERAGE (W) | PEAK (kW) | | | | oz. | gr. |
| DC-18 | 4754* | 60° / GHz 360° at 6 GHz | 100 | 5 | DC-8 GHz: 0.50 | DC-4 GHz: 1.3 | SMA (F) | 15.4 | 437 |
| | | | | | 8-12 GHz: 0.75 | 4-12 GHz: 1.5 | | | |
| | | | | | 12-18 GHz: 1.00 | 12-18 GHz: 1.6 | | | |
| DC-18 | 4755** | 60° / GHz 360° at 6 GHz | 100 | 5 | DC-8 GHz: 0.50 | DC-4 GHz: 1.3 | SMA (F) | 13.4 | 380 |
| | | | | | 8-12 GHz: 0.75 | 4-12 GHz: 1.5 | | | |
| | | | | | 12-18 GHz: 1.00 | 12-18 GHz: 1.6 | | | |

* Micrometer Drive

** Knob

Outline Drawing



Dimensions in inches, unless otherwise specified.

