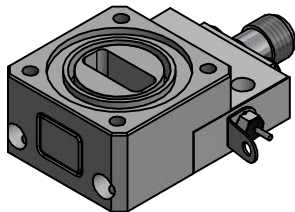


2

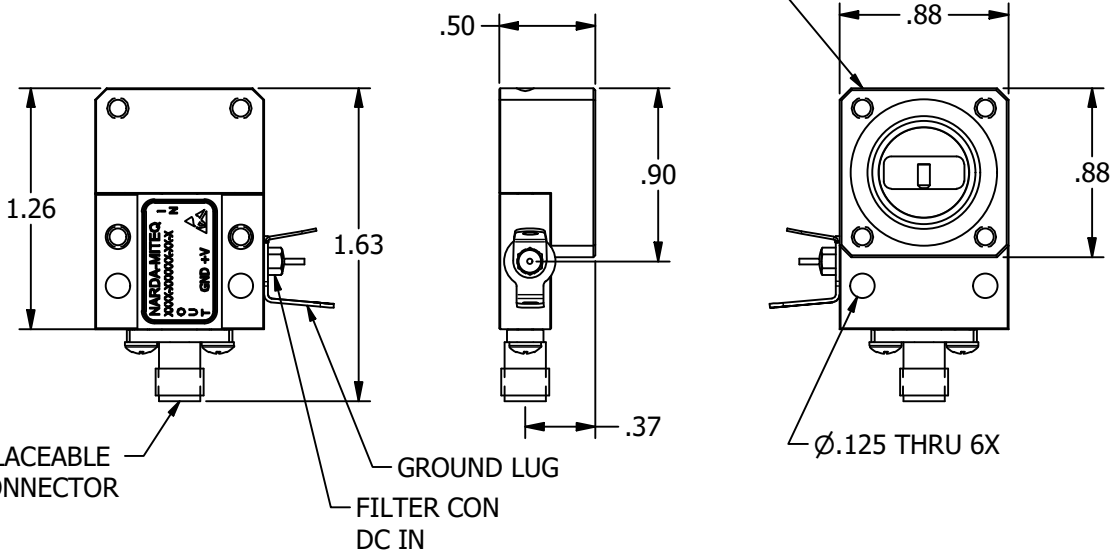
1



| APPLICATION | | REVISIONS | | | |
|-------------|---------|-----------|-----------------|-----------|----------|
| NEXT ASSY | USED ON | LTR | DESCRIPTION | DATE | APPROVED |
| | | A | INITIAL RELEASE | 6/17/2021 | rs |

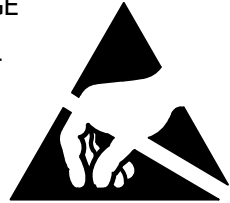


CONFORMS TO WR42 FLANGE



NOTES:

1. MATERIAL ALUMINUM ALLOY 6061-T6,
2. FINISH CHEMICAL FILM PER MIL-DTL-5541, CLASS TYPE 2, CLASS 3
3. FLANGE SHOWN WITH COVER GROOVE
OPTIONAL COVER OR CHOKE FLANGE
4. CONNECTOR OPTIONS AVAILABLE.
5. BTO VERSIONS SUPPLIED WITHOUT
6. FILTER-CON



PRINT NOT ON AUTOMATIC DISTRIBUTION
VERIFY REVISION PRIOR TO USE

Narda-MITEQ PROPRIETARY
THIS DOCUMENT CONTAINS INFORMATION WHICH IS PROPRIETARY TO Narda-MITEQ. THE CONTENTS SHALL NOT BE DISCLOSED, COPIED, DISTRIBUTED OR USED UNLESS AUTHORIZED BY AN OFFICER OF Narda-MITEQ.

THIS TECHNICAL DATA IS CONTROLLED UNDER THE EXPORT ADMINISTRATION REGULATIONS (EAR) AND MAY NOT BE EXPORTED TO A FOREIGN PERSON, EITHER IN THE U.S. OR ABROAD, WITHOUT PROPER AUTHORIZATION BY THE U.S. DEPARTMENT OF COMMERCE.

| | | | | |
|---|---------------|------------------|------|------------|
| ALL PAGES ARE OF ORIGINAL ISSUE (A) EXCEPT AS NOTED | DRN BY | rs | DATE | 11/17/2020 |
| | CHK BY | rs | DATE | 5/10/2021 |
| UNLESS OTHERWISE SPECIFIED DIMENSIONS ARE IN INCHES TOLERANCES ON | APPROVED BY | | | |
| | PROJ ENGR | Joseph Buonaiuto | DATE | 6/17/2021 |
| | ENG SECT | Joseph Buonaiuto | DATE | 6/17/2021 |
| | Q.A. | R. Zalewski | DATE | 6/17/2021 |
| DECIMALS .X±.1 .XX±.01 .XXX±.005 | ANGLES ±0~30' | PROJECTION | | |
| CUST APPR | | | | |



OUTLINE WR42 AMPLIFIER 4 STAGE

| | | | |
|-------|--------------|----------------|-----|
| SIZE | CODE INCDENT | DRAWING NUMBER | REV |
| A | 99899 | 226630 | A |
| SCALE | REF | SHEET 1 OF 1 | |

2

1

