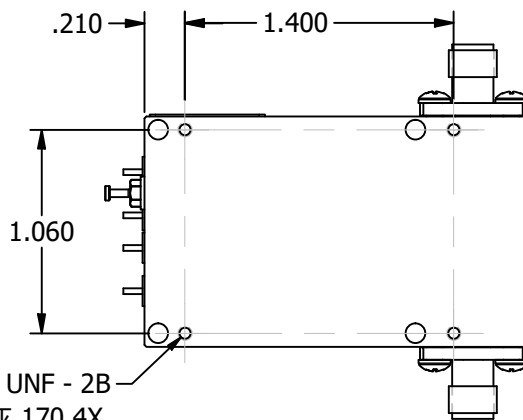
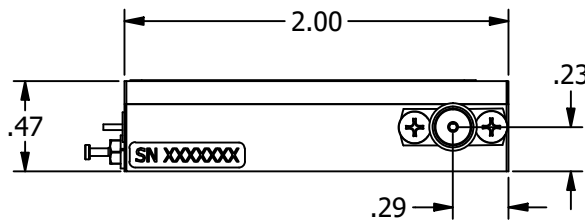
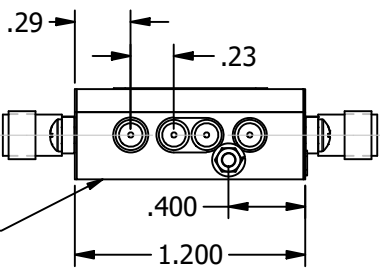
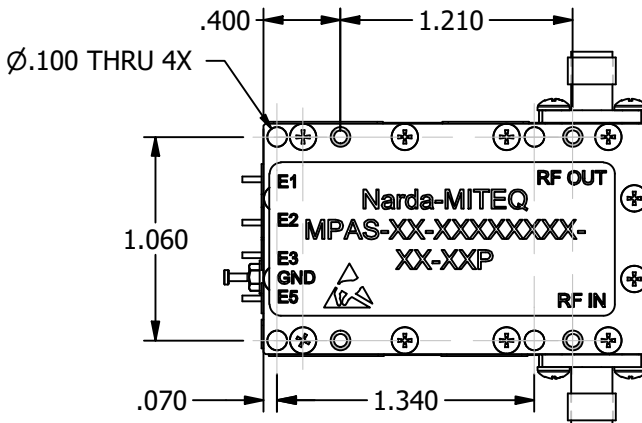
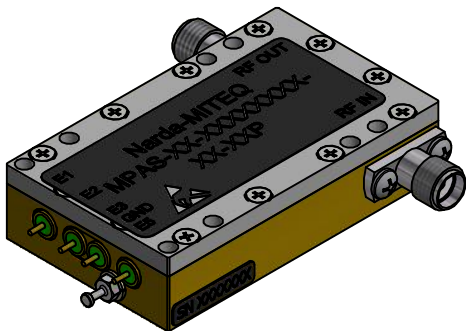
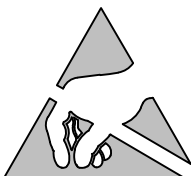




APPLICATION		REVISIONS			
NEXT ASSY	USED ON	LTR	DESCRIPTION	DATE	APPROVED
		A	Initial Release	10/14/2021	rs



PIN DESIGNATIONS	
PIN	DESCRIPTION
E1	+Vdd
E2	OVER/UNDER CURRENT ALARM
E3	TEMPERATURE ALARM
E5	TTL ON/OFF



Narda-MITEQ PROPRIETARY
 THIS DOCUMENT CONTAINS INFORMATION WHICH IS PROPRIETARY TO Narda-MITEQ. THE CONTENTS SHALL NOT BE DISCLOSED, COPIED, DISTRIBUTED OR USED UNLESS AUTHORIZED BY AN OFFICER OF Narda-MITEQ.

THIS TECHNICAL DATA IS CONTROLLED UNDER THE EXPORT ADMINISTRATION REGULATIONS (EAR) AND MAY NOT BE EXPORTED TO A FOREIGN PERSON, EITHER IN THE U.S. OR ABROAD, WITHOUT PROPER AUTHORIZATION BY THE U.S. DEPARTMENT OF COMMERCE.

PRINT NOT ON AUTOMATIC DISTRIBUTION
 VERIFY REVISION PRIOR TO USE



435 MORELAND RD HAUPPAUGE, NY 11788

OUTLINE MEDIUM POWER AMPLIFIER

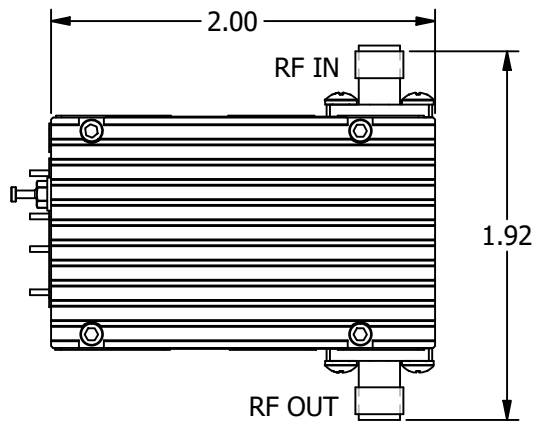
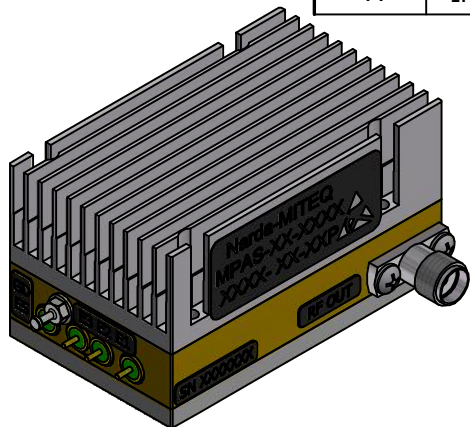
ALL PAGES ARE OF ORIGINAL ISSUE (A) EXCEPT AS NOTED	DRN BY	rs	DATE	11/17/2019
	CHK BY	rs	DATE	10/14/2021
UNLESS OTHERWISE SPECIFIED DIMENSIONS ARE IN INCHES TOLERANCES ON	APPROVED BY			
	PROJ ENGR	T.Niemira	DATE	10/10/2021
	ENG SECT	Frank Cannata	DATE	11/10/2021
	Q.A.	R. Zalewski	DATE	10/18/2021
DECIMALS .X±.1 .XX±.01 .XXX±.005	ANGLES ±0~30'	CUST APPR		
PROJECTION				

SIZE	CODE INCDENT	DRAWING NUMBER	REV
A	99899	226117	A
SCALE	REF	SHEET 1 OF 2	



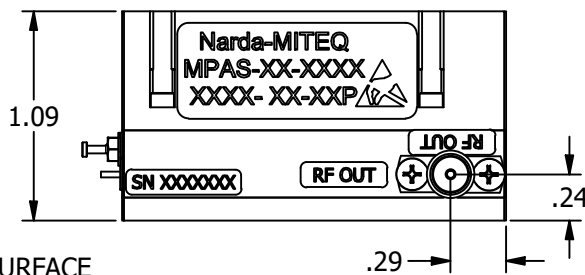
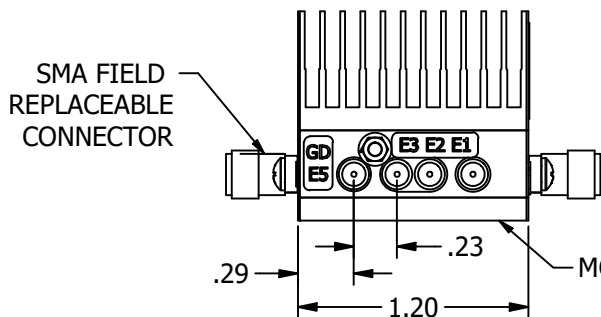


APPLICATION		REVISIONS			
NEXT ASSY	USED ON	LTR	DESCRIPTION	DATE	APPROVED
		A	Initial Release	10/14/2021	rs

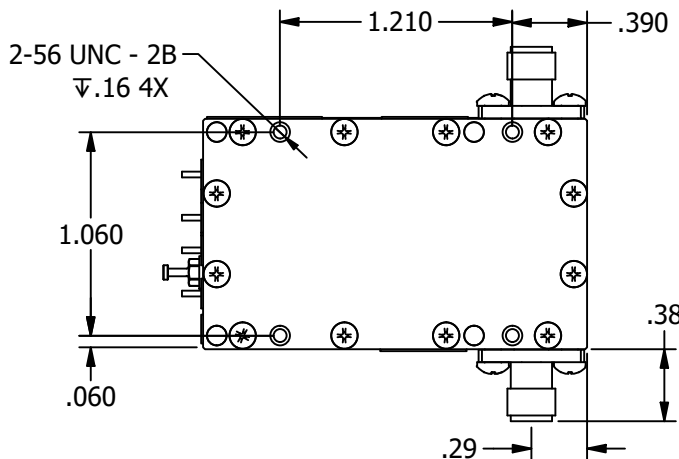
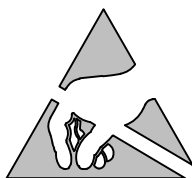


B

B



PIN DESIGNATIONS	
PIN	DESCRIPTION
E1	+Vdd
E2	OVER/UNDER CURRENT ALARM
E3	TEMPERATURE ALARM
E5	TTL ON/OFF



Narda-MITEQ PROPRIETARY
 THIS DOCUMENT CONTAINS INFORMATION WHICH IS PROPRIETARY TO Narda-MITEQ. THE CONTENTS SHALL NOT BE DISCLOSED, COPIED, DISTRIBUTED OR USED UNLESS AUTHORIZED BY AN OFFICER OF Narda-MITEQ.

THIS TECHNICAL DATA IS CONTROLLED UNDER THE EXPORT ADMINISTRATION REGULATIONS (EAR) AND MAY NOT BE EXPORTED TO A FOREIGN PERSON, EITHER IN THE U.S. OR ABROAD, WITHOUT PROPER AUTHORIZATION BY THE U.S. DEPARTMENT OF COMMERCE.

PRINT NOT ON AUTOMATIC DISTRIBUTION
 VERIFY REVISION PRIOR TO USE

ALL PAGES ARE OF ORIGINAL ISSUE (A) EXCEPT AS NOTED	DRN BY	rs	NAME	DATE	11/17/2019
	CHK BY	rs			10/14/2021
UNLESS OTHERWISE SPECIFIED DIMENSIONS ARE IN INCHES TOLERANCES ON	APPROVED BY				
	PROJ ENGR	T.Niemira			10/10/2021
	ENG SECT	Frank Cannata			11/10/2021
	Q.A.	R. Zalewski			10/18/2021
DECIMALS .X±.1 .XX±.01 .XXX±.005	ANGLES ±0~30°				
PROJECTION	CUST APPR				



OUTLINE MEDIUM POWER AMPLIFIER

SIZE	CODE INCDENT	DRAWING NUMBER	REV
A	99899	226117	A
SCALE	REF	SHEET 2 OF 2	



A

A