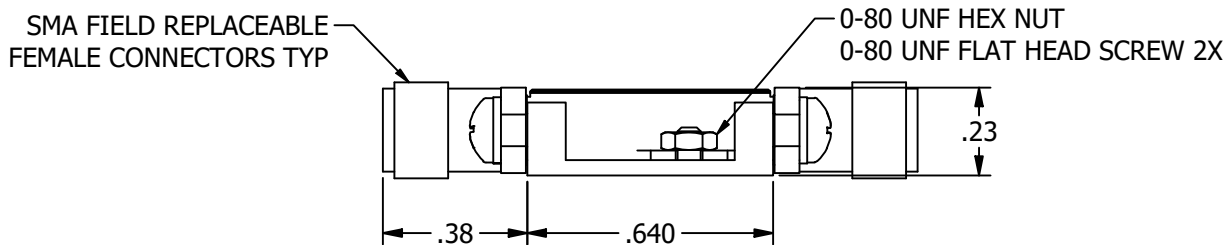
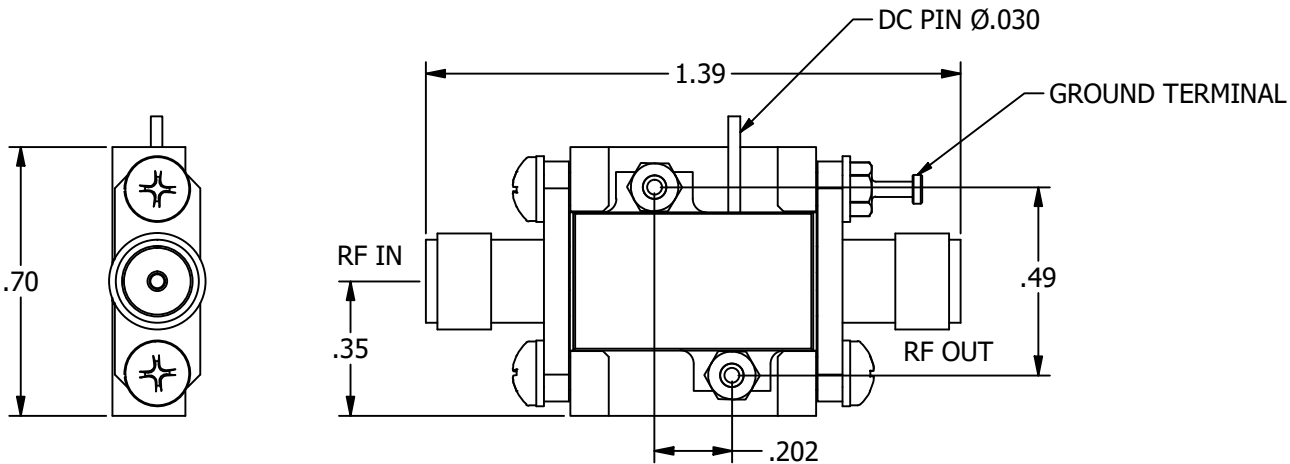


2

1



APPLICATION		REVISIONS			
NEXT ASSY	USED ON	LTR	DESCRIPTION	DATE	APPROVED
		A	Initial Release	4/4/2019	rs



Narda-MITEQ PROPRIETARY
 THIS DOCUMENT CONTAINS INFORMATION WHICH IS PROPRIETARY TO Narda-MITEQ. THE CONTENTS SHALL NOT BE DISCLOSED, COPIED, DISTRIBUTED OR USED UNLESS AUTHORIZED BY AN OFFICER OF Narda-MITEQ.

THIS TECHNICAL DATA IS CONTROLLED UNDER THE EXPORT ADMINISTRATION REGULATIONS (EAR) AND MAY NOT BE EXPORTED TO A FOREIGN PERSON, EITHER IN THE U.S. OR ABROAD, WITHOUT PROPER AUTHORIZATION BY THE U.S. DEPARTMENT OF COMMERCE.

PRINT NOT ON AUTOMATIC DISTRIBUTION
 VERIFY REVISION PRIOR TO USE



435 MORELAND RD HAUPPAUGE, NY 11788

OUTLINE
LNAS-36-00750095-10-12P-GW

ALL PAGES ARE OF ORIGINAL ISSUE (A) EXCEPT AS NOTED	DRN BY	rs	NAME	DATE	3/21/2019
	CHK BY	rs			4/9/2019
UNLESS OTHERWISE SPECIFIED DIMENSIONS ARE IN INCHES TOLERANCES ON	APPROVED BY				
	PROJ ENGR	bworster		6/10/2019	
	ENG SECT	bworster		7/25/2019	
	Q.A.	R. Zalewski			
DECIMALS .X±.1 .XX±.01 .XXX±.005	ANGLES ±0~30'				
PROJECTION	CUST APPR				

SIZE	CODE INDENT	DRAWING NUMBER	REV
A	99899	220039	A
SCALE	REF	SHEET 1 OF 1	

2

1

