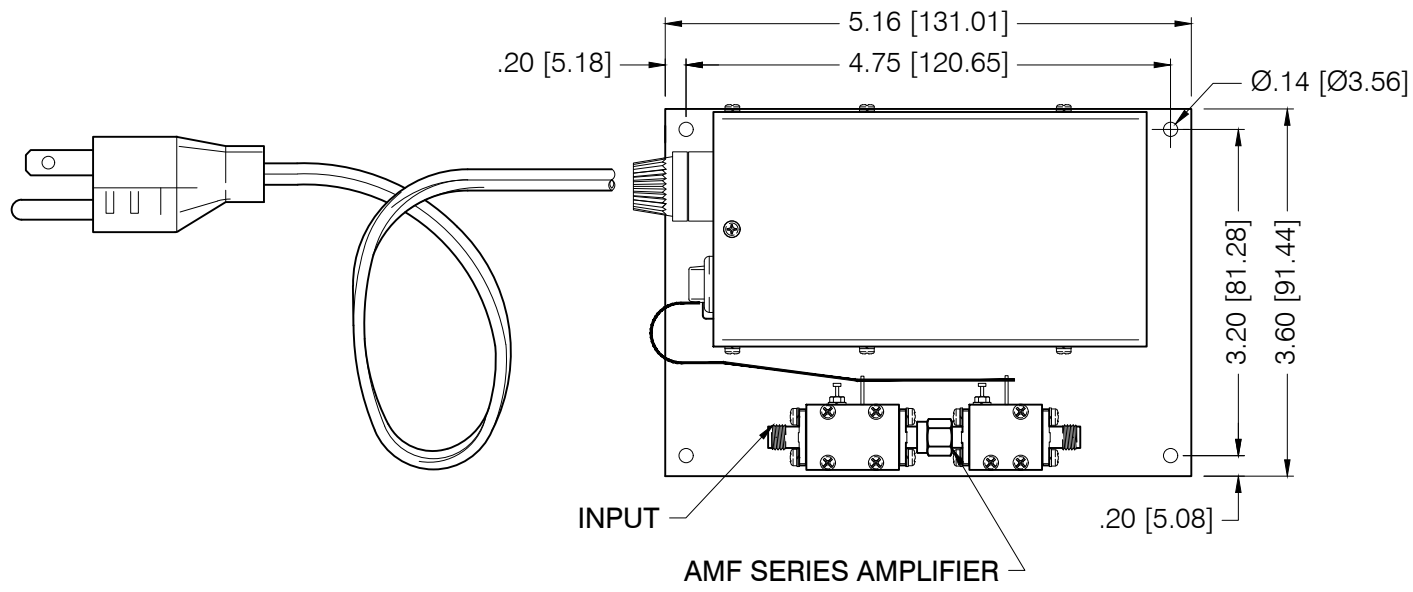
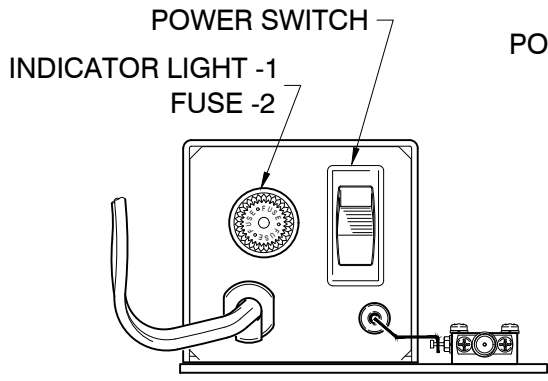


DASH NO.	APPLICATION		REVISIONS			
	NEXT ASSY	USED ON	LTR	DESCRIPTION	DATE	APPROVED
	114448		A	INITIAL RELEASE	03/23/17	rs

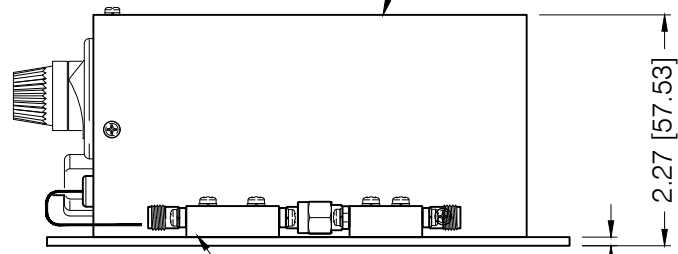
PRINT NOT ON AUTOMATIC DISTRIBUTION VERIFY REVISION PRIOR TO USE



INPUT
AMF SERIES AMPLIFIER



POWER SUPPLY INPUT 100V TO 240 VAC
OUTPUT 15.0VDC



AMF SERIES AMPLIFIER

THESE ITEM(S)/TECHNOLOGY CONTAIN INFORMATION SUBJECT TO U.S. GOVERNMENT EXPORT CONTROL IN ACCORDANCE WITH THE EXPORT ADMINISTRATION REGULATIONS (EAR), 15 CFR PARTS 730-744. EXPORT OF THIS DATA TO ANY FOREIGN COUNTRY OR DISCLOSURE OF THIS DATA TO ANY NON-US PERSON MAY BE A VIOLATION OF FEDERAL LAW.

Narda-MITEQ PROPRIETARY
THIS DOCUMENT CONTAINS INFORMATION WHICH IS PROPRIETARY TO Narda-MITEQ. THE CONTENTS SHALL NOT BE DISCLOSED, COPIED, DISTRIBUTED, OR USED UNLESS AUTHORIZED BY AN OFFICER OF Narda-MITEQ.

UNLESS OTHERWISE SPECIFIED DIMENSIONS ARE IN INCHES TOLERANCES ON	NAME	DATE
DECIMAL .X ±0.1 [2.5] DECIMAL .XX ±0.01 [0.25] DECIMAL .XXX ±0.005 [0.13] ANGLES X° ±30'	DWN <i>RSyed</i>	03/23/17
	DFT DES <i>rs</i>	03/23/17
	PROJ ENGR <i>R. Syed</i>	03/23/17
PROJECTION	MFG ENGR	
	Q.C.	
	CUST	



435 MORELAND RD HAUPPAUGE, NY 11788

AMPLIFIER
AMF-7D-01001800-22-10P
WITH POWER SUPPLY

SIZE A	CODE IDENT. NO. 99899	217671	REV A
SCALE	PROJECT	SHEET 1 OF 1	