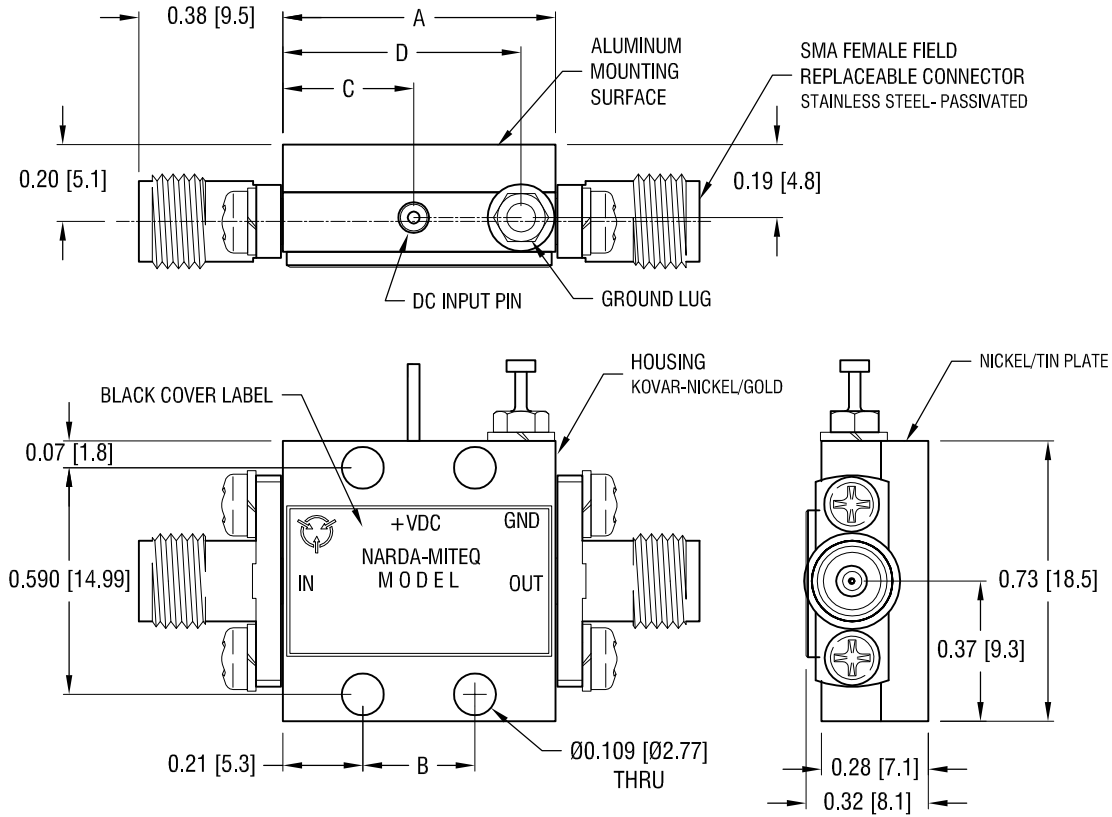


DASH NO.	APPLICATION		REVISIONS			
	NEXT ASSY	USED ON	LTR	DESCRIPTION	DATE	APPROVED
			B	Incorporate ECN 38404	03/30/17	<i>J. Bovaird</i>

THIS TECHNICAL DATA IS CONTROLLED UNDER THE EXPORT ADMINISTRATION REGULATIONS (EAR) AND MAY NOT BE EXPORTED TO A FOREIGN PERSON, EITHER IN THE U.S. OR ABROAD, WITHOUT PROPER AUTHORIZATION BY THE U.S. DEPARTMENT OF COMMERCE.


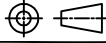



OUTLINE	HOUSING	DIM "A"	DIM "B"	DIM "C"	DIM "D"
217304-1	170722	.71 [18.0]	.292 [7.42]	.34 [8.6]	.62 [15.7]
217304-2	170721	.89 [22.6]	.473 [12.01]	.52 [13.2]	.80 [20.3]
217304-3	171235 215729	1.07 [27.2]	.654 [16.61]	.70 [17.8]	.99 [25.1]

L-3 PROPRIETARY

THIS DOCUMENT CONTAINS INFORMATION WHICH IS PROPRIETARY TO L-3 COMMUNICATIONS CORPORATION. THE CONTENTS SHALL NOT BE DISCLOSED, COPIED, DISTRIBUTED OR USED UNLESS AUTHORIZED BY AN OFFICER OF L-3 COMMUNICATIONS

PRINT NOT ON AUTOMATIC DISTRIBUTION VERIFY REVISION PROIR TO USE

UNLESS OTHERWISE SPECIFIED DIMENSIONS ARE IN INCHES TOLERANCES ON	NAME	DATE	 435 Moreland Rd. Hauppauge, New York 11788			
	DWN <i>R. Syed</i>	01/18/17				
DECIMAL .X ±0.1 [2.5] DECIMAL .XX ±0.01 [0.25] DECIMAL .XXX ±0.005 [0.13] ANGLES X° ±30'	DFT DES <i>J. Bovaird</i>	03/30/17	<b>AMF HERMETIC AMPLIFIER</b>			
	PROJ ENGR <i>R. Syed</i>	03/30/17				
PROJECTION 	MFG ENGR		SIZE	CODE IDENT. NO.	217304	REV
 AUTOCAD FILE FORMAT	Q.C.		A	33592		B
	CUST		SCALE	PROJECT	SHEET 1 OF 1	