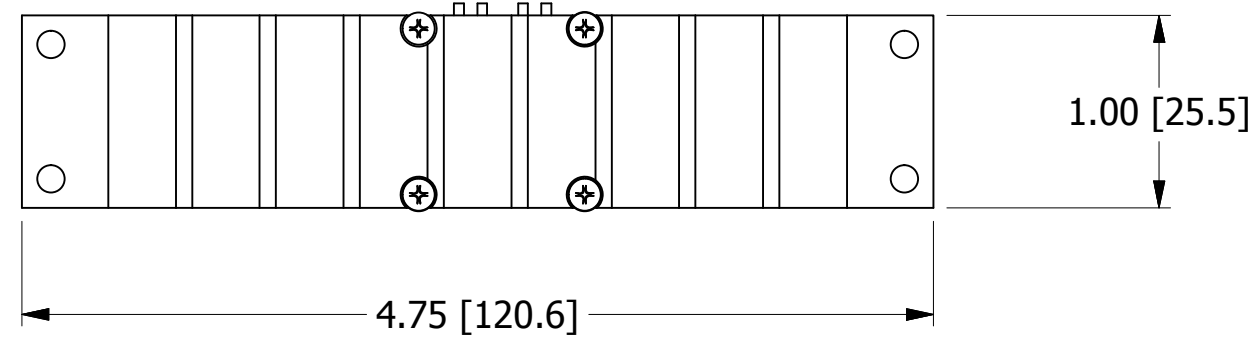
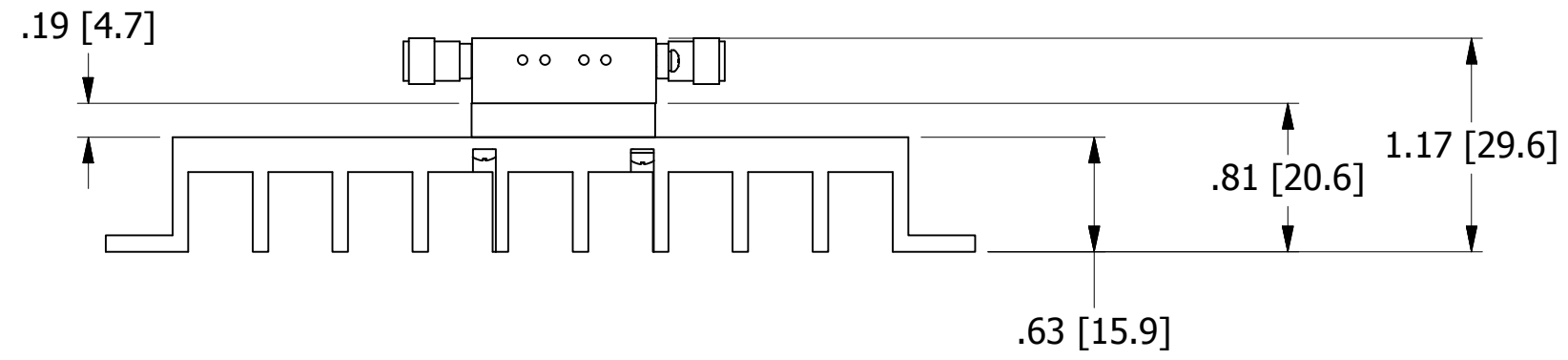
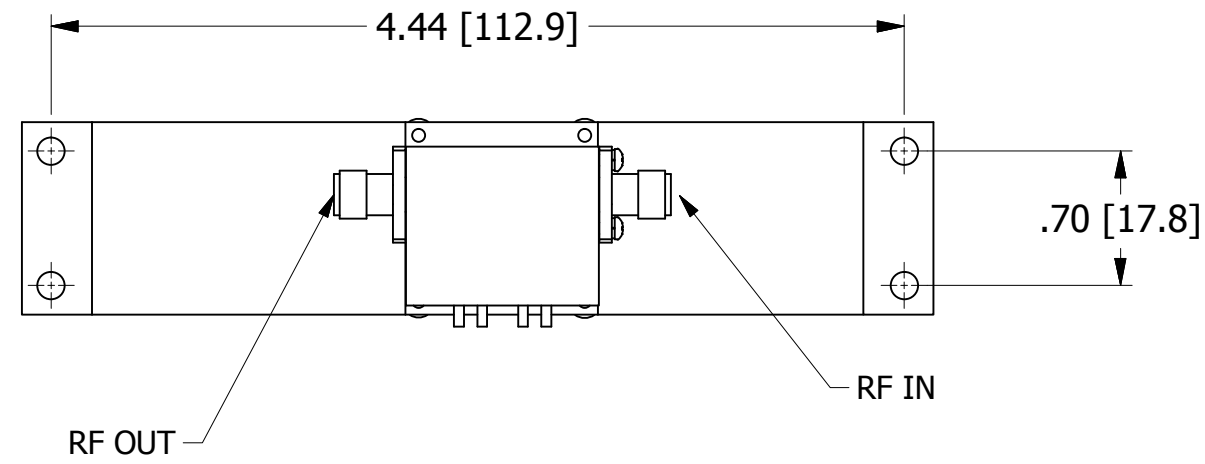
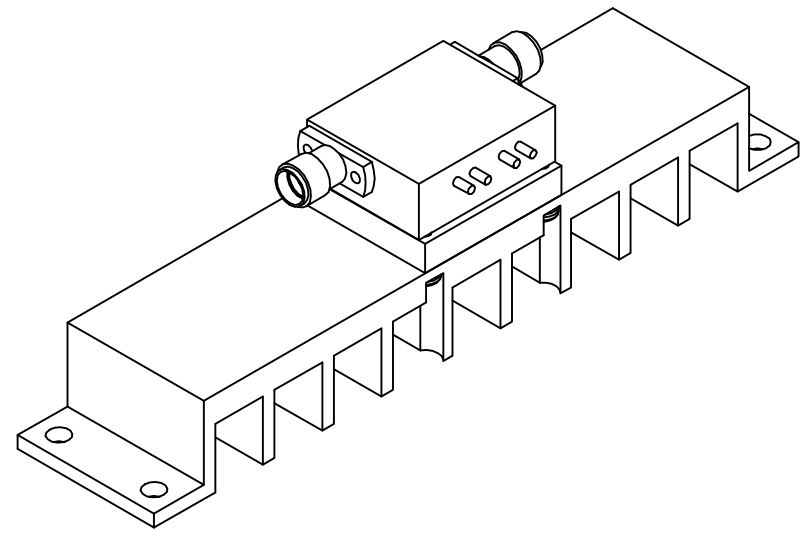

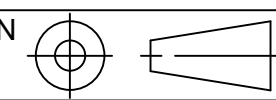


REVISIONS				
ZONE	LTR	DESCRIPTION	DATE	APPROVED
	A	INITIAL RELEASE	3/12/2015	J.Bovard



-5	-4	-3	-2	-1	NOMENCLATURE OR DESCRIPTION	SYM/NOTES	PART NO.	CODE IDENT.	ITEM NO.
					UNLESS OTHERWISE SPECIFIED DIMENSIONS ARE IN INCHES TOLERANCES ON	 100 Davids Drive, Hauppauge, New York 11788  <b>OUTLINE HEATSINK HOUSING</b>			
					DECIMALS .XX± .01      ANGLES ± 0°30' .XXX± .005				
					PROJECTION 	DRN BY <i>J.Bovard</i> NAME DATE 12/5/2014 CHKD BY <i>J.Bovard</i> DATE 3/12/2015 APPROVED BY	SIZE C      CODE IDENT. NO. 33592      212969      REV. A SCALE      REF      SHEET 1 OF 1		
					MATERIAL	PROJ ENGR <i>B. Worden</i> DATE 3/12/2015 ENG SECT Q.A.			
					FINISH				
					NEXT ASSY      USED ON				
					APPLICATION	HEAT TREAT			