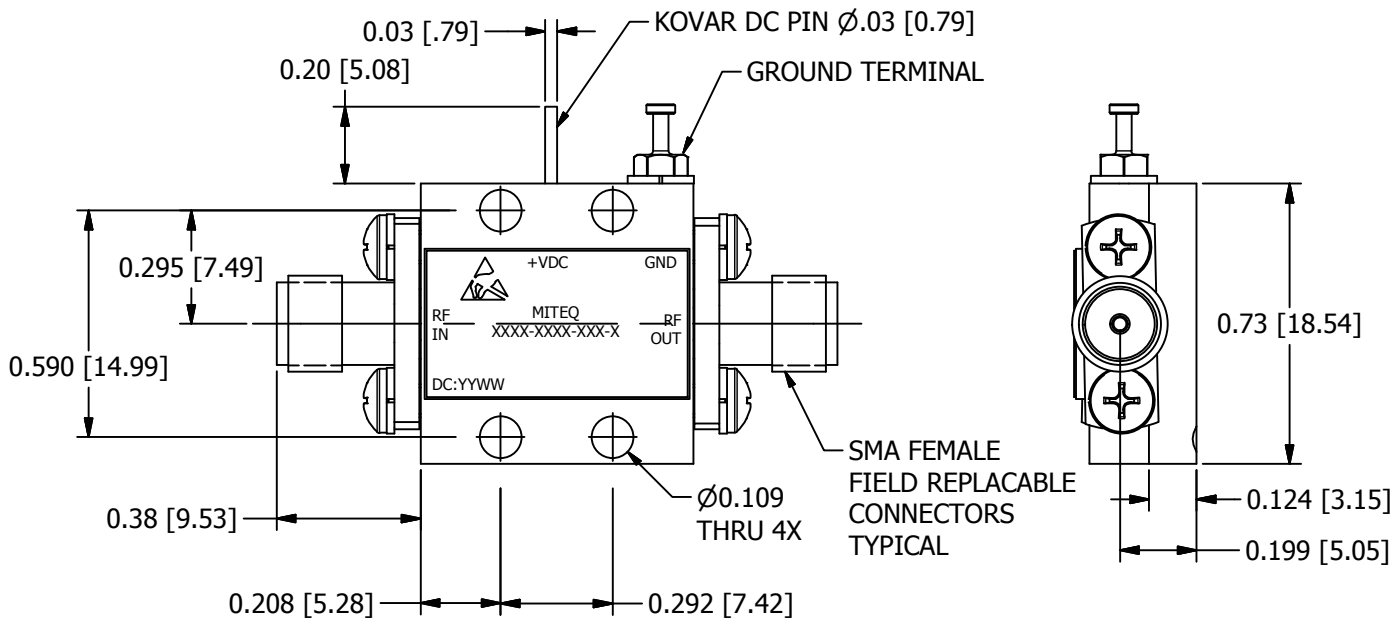
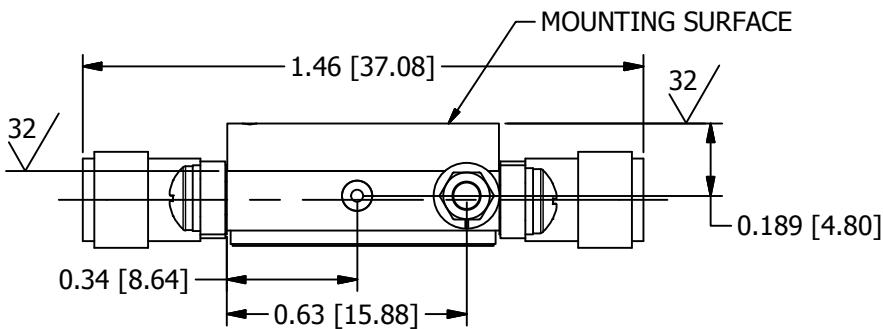


2

1



APPLICATION		REVISIONS			
NEXT ASSY	USED ON	LTR	DESCRIPTION	DATE	APPROVED
		A	Initial Release	10/24/2014	<i>R.Scherer</i>



DIMENSIONS SHOWN IN INCH [MM]
 HOUSING, KOVAR, NICKEL/GOLD
 SPACER PLATE, ALUMINUM, NICKEL/GOLD
 CONNECTORS, PASSIVATED STAINLESS STEEL
 GROUND LUG, NICKEL/GOLD PLATED



ALL PAGES ARE OF ORIGINAL ISSUE (A) EXCEPT AS NOTED	DRN BY	<i>rscherer</i>	DATE	7/2/2012
	CHK BY	<i>R.Scherer</i>	DATE	10/24/2014
UNLESS OTHERWISE SPECIFIED DIMENSIONS ARE IN INCHES TOLERANCES ON DECIMALS ANGLES .X±.1 ±0°30' .XX±.01 .XXX±.005	APPROVED BY			
	PROJ ENGR	<i>Jbuonaiuto</i>	DATE	10/24/2014
	ENG SECT	<i>Jbuonaiuto</i>	DATE	10/24/2014
	Q.A.			
PROJECTION		CUST APPR		



OUTLINE, AIRBUS AMPLIFIER

SIZE	CODE INDENT	DRAWING NUMBER	REV
A	33592	212302	A
SCALE	REF	SHEET 1	OF 1

2

1

