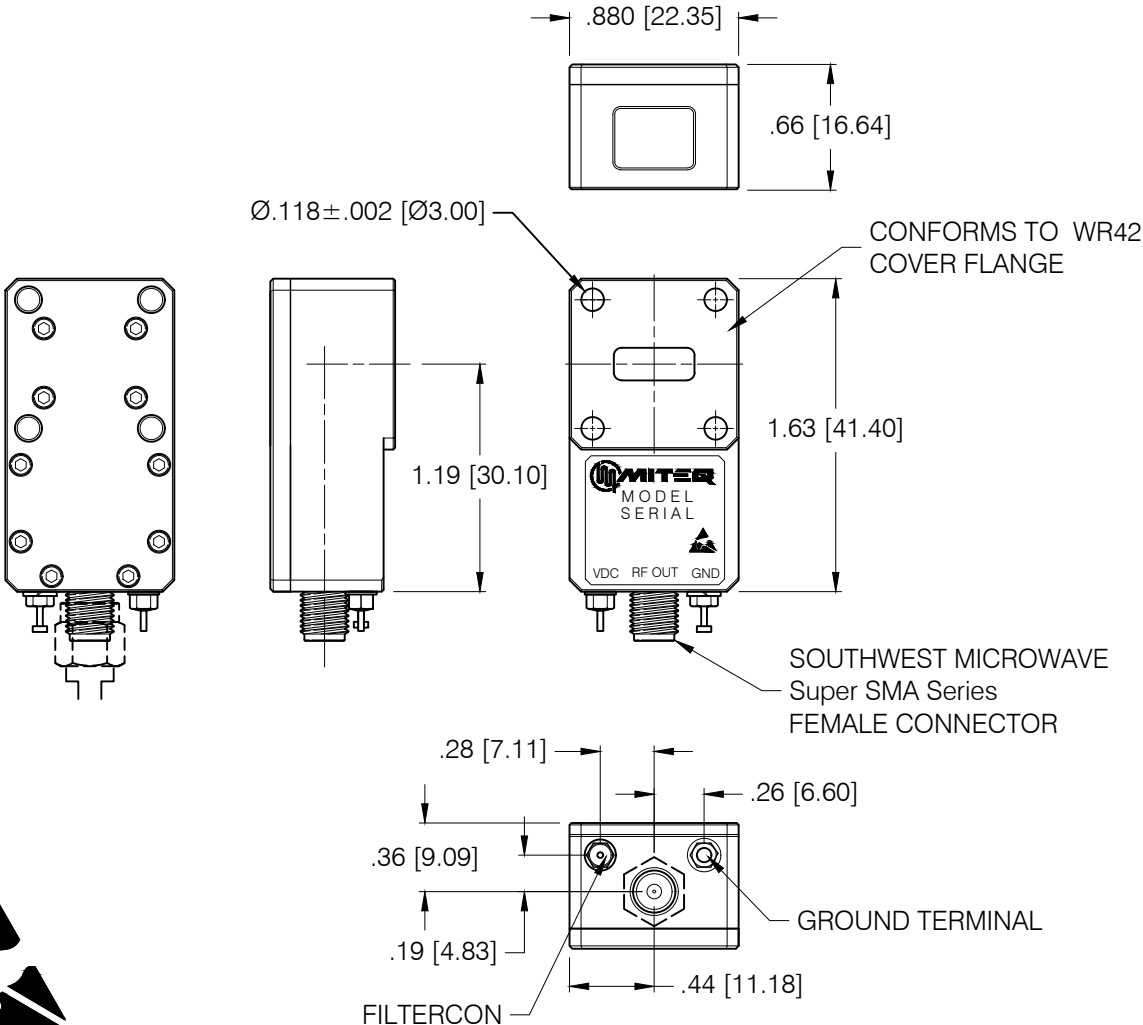


DASH NO.	APPLICATION		REVISIONS			
	NEXT ASSY	USED ON	LTR	DESCRIPTION	DATE	APPROVED
	207129		C	Incorporated ECN 50070	07/28/20	rs

PRINT NOT ON AUTOMATIC DISTRIBUTION VERIFY REVISION PRIOR TO USE



- NOTES:
1. DIMENSIONS IN BRACKETS ARE METRIC EQUIVALENT
 2. MATERIAL & FINISH: ALUMINUM WITH TRIVALENT CHROMATE CONVERSION
 3. ESTIMATED WIEGHT 38 GRAMS
 4. FILTERCON AND GROUND TERMINAL NOT INSTALLED FOR BTO VERSIONS

THESE ITEM(S)/TECHNOLOGY CONTAIN INFORMATION SUBJECT TO U.S. GOVERNMENT EXPORT CONTROL IN ACCORDANCE WITH THE EXPORT ADMINISTRATION REGULATIONS (EAR), 15 CFR PARTS 730-744. EXPORT OF THIS DATA TO ANY FOREIGN COUNTRY OR DISCLOSURE OF THIS DATA TO ANY NON-US PERSON MAY BE A VIOLATION OF FEDERAL LAW.

Narda-MITEQ PROPRIETARY
 THIS DOCUMENT CONTAINS INFORMATION WHICH IS PROPRIETARY TO Narda-MITEQ. THE CONTENTS SHALL NOT BE DISCLOSED, COPIED, DISTRIBUTED, OR USED UNLESS AUTHORIZED BY AN OFFICER OF Narda-MITEQ.

UNLESS OTHERWISE SPECIFIED DIMENSIONS ARE IN INCHES TOLERANCES ON	NAME	DATE
DECIMAL .X ±0.1 [2.5] DECIMAL .XX ±0.01 [0.25] DECIMAL .XXX ±0.005 [0.13] ANGLES X° ±30'	DWN <i>J.Decker</i>	07/08/14
	DFT DES <i>rs</i>	09/22/20
	PROJ ENGR <i>J.Decker</i>	11/05/20
PROJECTION	MFG ENGR	
	Q.C. <i>R. Zalewski</i>	09/22/20
	CUST	



**Ka BAND WAVEGUIDE LNA
 RA STANDARD WR42 COVER FLANGE
 OUTLINE**

SIZE A	CODE IDENT. NO. 99899	211855	REV C
SCALE		PROJECT	SHEET 1 OF 1