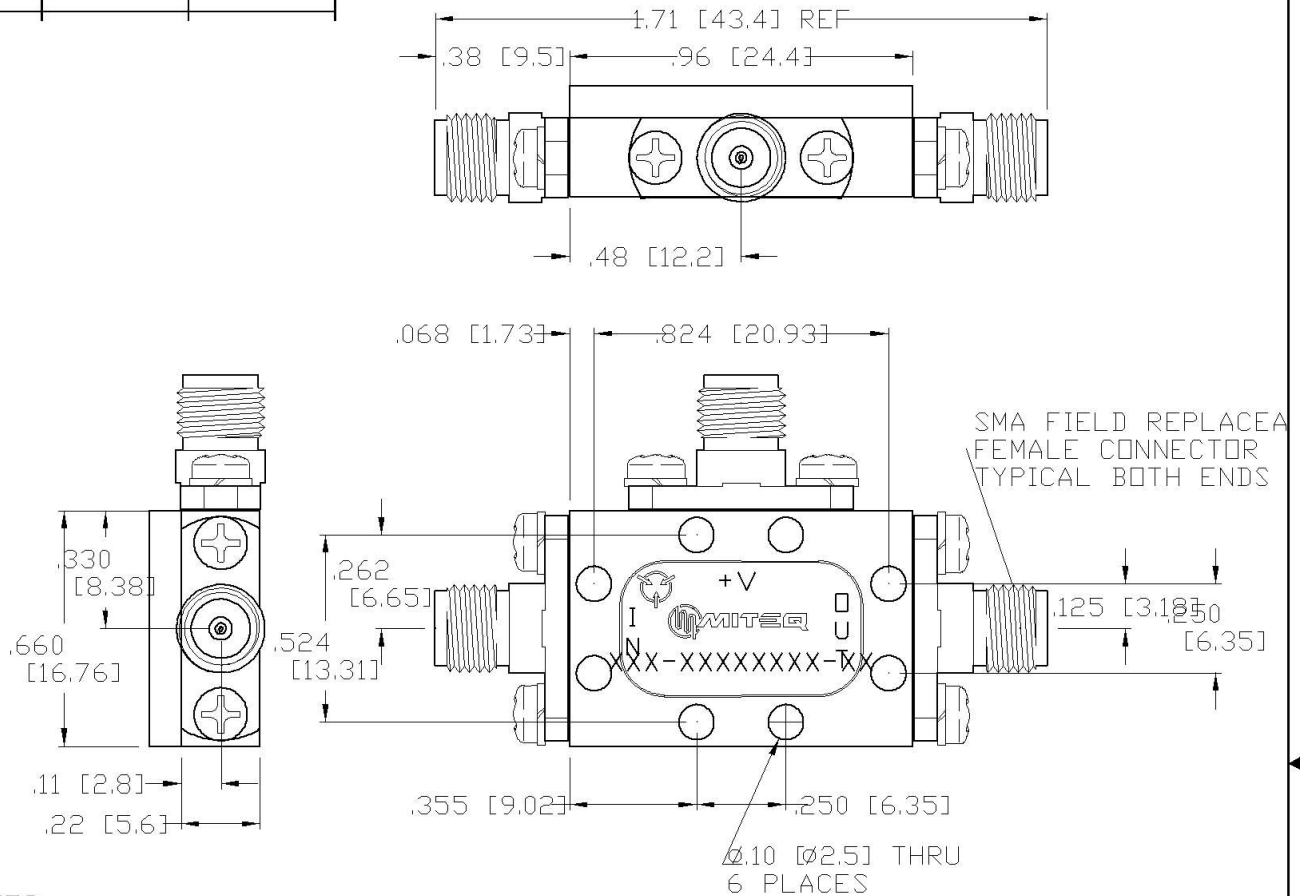


DASH NO.	APPLICATION		REVISIONS			
	NEXT ASSY	USED ON	LTR	DESCRIPTION	DATE	APPROVED
	152358		A	Initial Release	06/24/14	R.Scherer



NOTES

1. DIMENSIONS IN BRACKETS ARE METRIC EQUIVALENTS

2. DC PIN IS  $\phi$ .015 [0.38] X .08 [2.0], RF PINS ARE  $\phi$ .012 [0.30] X .06 [1.4] LONG

3. HOUSING MADE OF KOVAR, FINISH GOLD ON NICKEL, SPACER PLATE MADE OF ALUMINUM ALLOY

SCALE: 2/1

UNLESS OTHERWISE SPECIFIED DIMENSIONS ARE IN INCHES TOLERANCES ON	NAME	DATE	 100 Davids Drive, Hauppauge, New York 11788		
	DWN R.Scherer	06/24/14			
DECIMAL .X $\pm$ 0.1 DECIMAL .XX $\pm$ 0.01 DECIMAL .XXX $\pm$ 0.005 ANGLES X° $\pm$ 30'	DFT DES R.Scherer	06/24/14	LCA AMPLIFIER WITH SMA DC OUTLINE		
	PROJ ENGR. Buonaiuto	06/24/14			
PROJECTION	MFG ENGR		SIZE	CODE IDENT. NO.	REV
	Q.C.		A	33592 211778	A
	CUST		SCALE	PROJECT	SHEET 1 1 OF