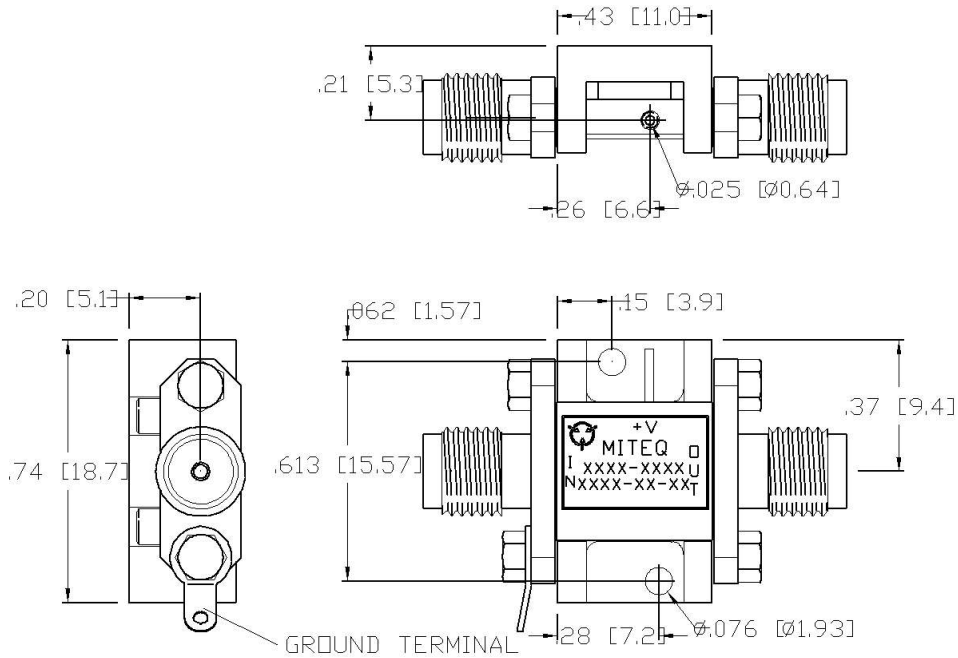


DASH NO.	APPLICATION		REVISIONS			
	NEXT ASSY	USED ON	LTR	DESCRIPTION	DATE	APPROVED
			A	Initial Release	06/23/14	RScherer



NOTES  
DIMENSIONS IN BRACKETS ARE METRIC EQUIVALENT

UNLESS OTHERWISE SPECIFIED DIMENSIONS ARE IN INCHES TOLERANCES ON DECIMAL .X ±0.1 [2.5] DECIMAL .XX ±0.01 [0.25] DECIMAL .XXX ±0.005 [0.13] ANGLES X° ±30'	NAME	DATE	 100 Davids Drive, Hauppauge, New York 11788		
	DWN RScherer	06/23/14			
	DFT DGN RScherer	06/23/14	JSD TYPE MODULE SERIES OUTLINE WITH GROUND LUG		
PROJ ENGR R. Syed	06/23/14				
	MFG ENGR		SIZE	CODE IDENT. NO.	REV
	Q.C.		A	33592 211773	A
	CUST		SCALE	PROJECT	SHEET 1 1 OF