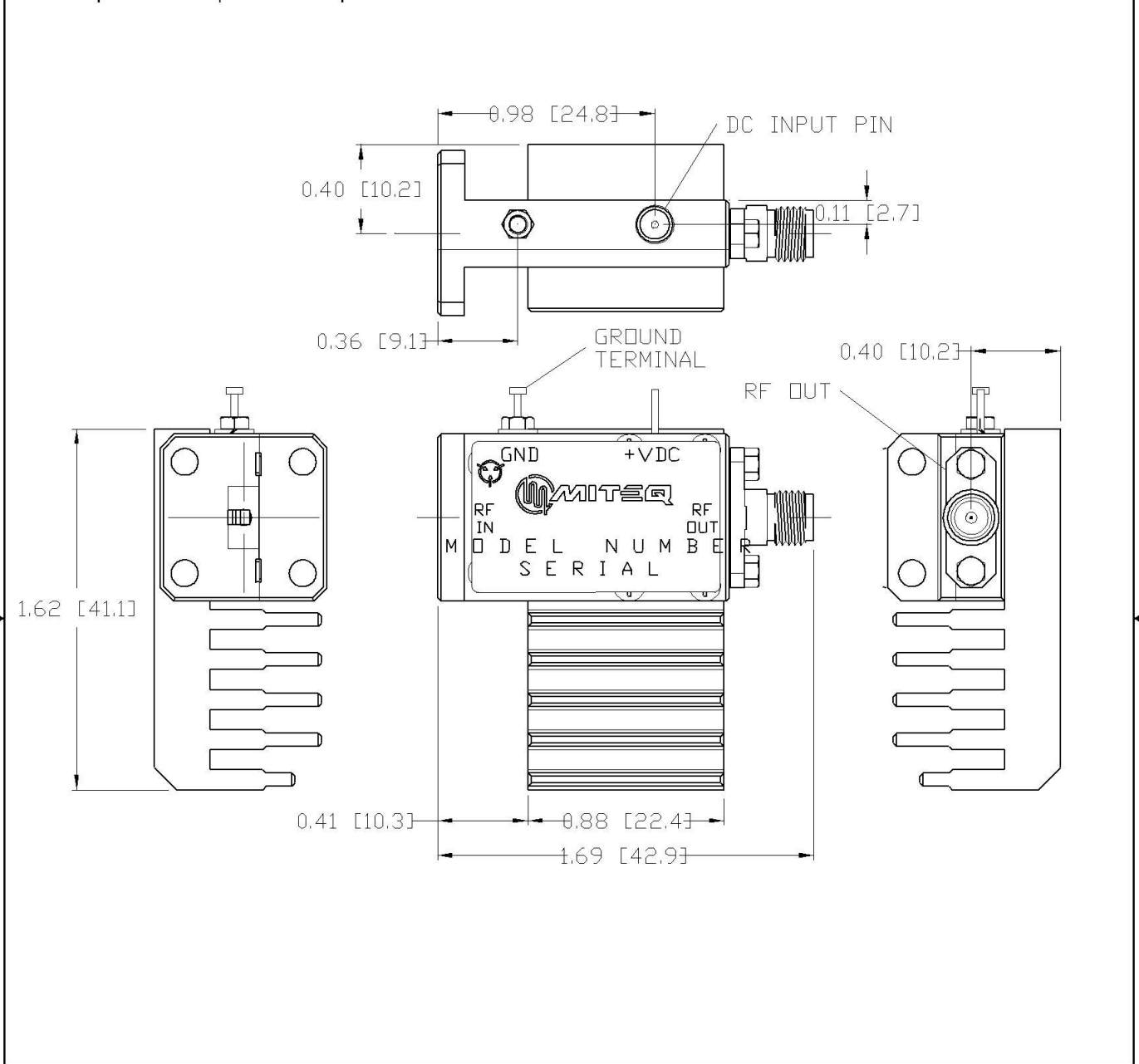


DASH NO.	APPLICATION		REVISIONS			
	NEXT ASSY	USED ON	LTR	DESCRIPTION	DATE	APPROVED
			A	Initial Release	04/22/14	RScherer



UNLESS OTHERWISE SPECIFIED DIMENSIONS ARE IN INCHES TOLERANCES ON DECIMAL .X ±0.1 [2.5] DECIMAL .XX ±0.01 [0.25] DECIMAL .XXX ±0.005 [0.13] ANGLES X° ±30'	NAME	DATE	100 Davids Drive, Hauppauge, New York 11788			
	DWN	RScherer				04/22/14
	DFT	RScherer	04/22/14	WR28 INPUT - K OUTPUT WITH HEAT SINK OUTLINE		
	PROJ	J. Decker	04/23/14			
PROJECTION	MFG		SIZE	CODE IDENT. NO.	REV	
	ENGR		A	33592	A	
	Q.C.		211244			
	CUST		SCALE	PROJECT	SHEET 1 1 OF	