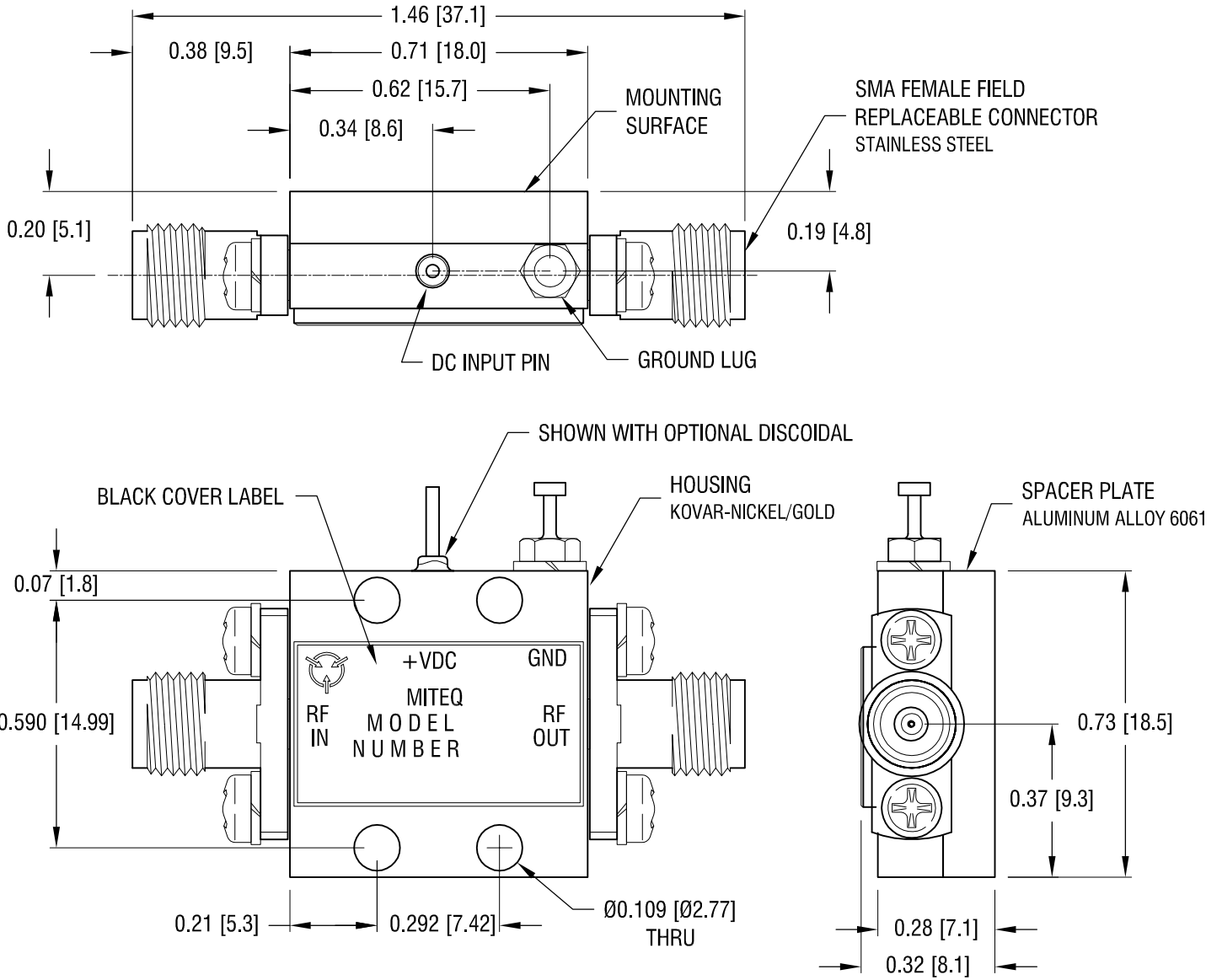


DASH NO.	APPLICATION		REVISIONS			
	NEXT ASSY	USED ON	LTR	DESCRIPTION	DATE	APPROVED
	HSG 209712	CVR 170897	A	Initial Release	01/14/14	<i>R.Scherer</i>
	PLT 170725					



THIS DOCUMENT CERTIFIES THAT THE PRODUCTS STATED IN THIS DOCUMENT ARE IN FULL COMPLIANCE WITH DIRECTIVE 2002/95/EC OF THE EUROPEAN PARLIAMENT AND OF THE COUNCIL OF 27 JANUARY 2003 ON THE RESTRICTION OF THE USE OF CERTAIN HAZARDOUS SUBSTANCES IN ELECTRICAL AND ELECTRONICS EQUIPMENT INCLUDING SUBSEQUENT EXEMPTIONS AND REVISIONS.

THIS DOCUMENT/PRODUCT IS NOT ITAR CONTROLLED - ITAR PARTS ARE PROHIBITED

UNLESS OTHERWISE SPECIFIED DIMENSIONS ARE IN INCHES TOLERANCES ON

DECIMAL .X  $\pm 0.1$   
 DECIMAL .XX  $\pm 0.01$   
 DECIMAL .XXX  $\pm 0.005$   
 ANGLES X°  $\pm 30'$

PROJECTION



ESD SENSITIVE COMPONENT

NAME	DATE
DWN <i>R.Scherer</i>	01/14/14
DFT DES <i>R.Scherer</i>	01/14/14
PROJ ENGR <i>B. Worster</i>	01/15/14
MFG ENGR	
Q.C.	
CUST	



OUTLINE  
 .1 TO 26 GHZ MMIC  
 BASED HOUSING

SIZE	CODE IDENT. NO.	REV
A	33592	A
210402		
SCALE	PROJECT	SHEET 1 OF 1