

4

3

2

1

| REVISIONS | | | | |
|-----------|-----|------------------------|----------|----------|
| ZONE | LTR | DESCRIPTION | DATE | APPROVED |
| | C | INCORPORATED ECN 38355 | 04/20/17 | JCammara |

D

D

C

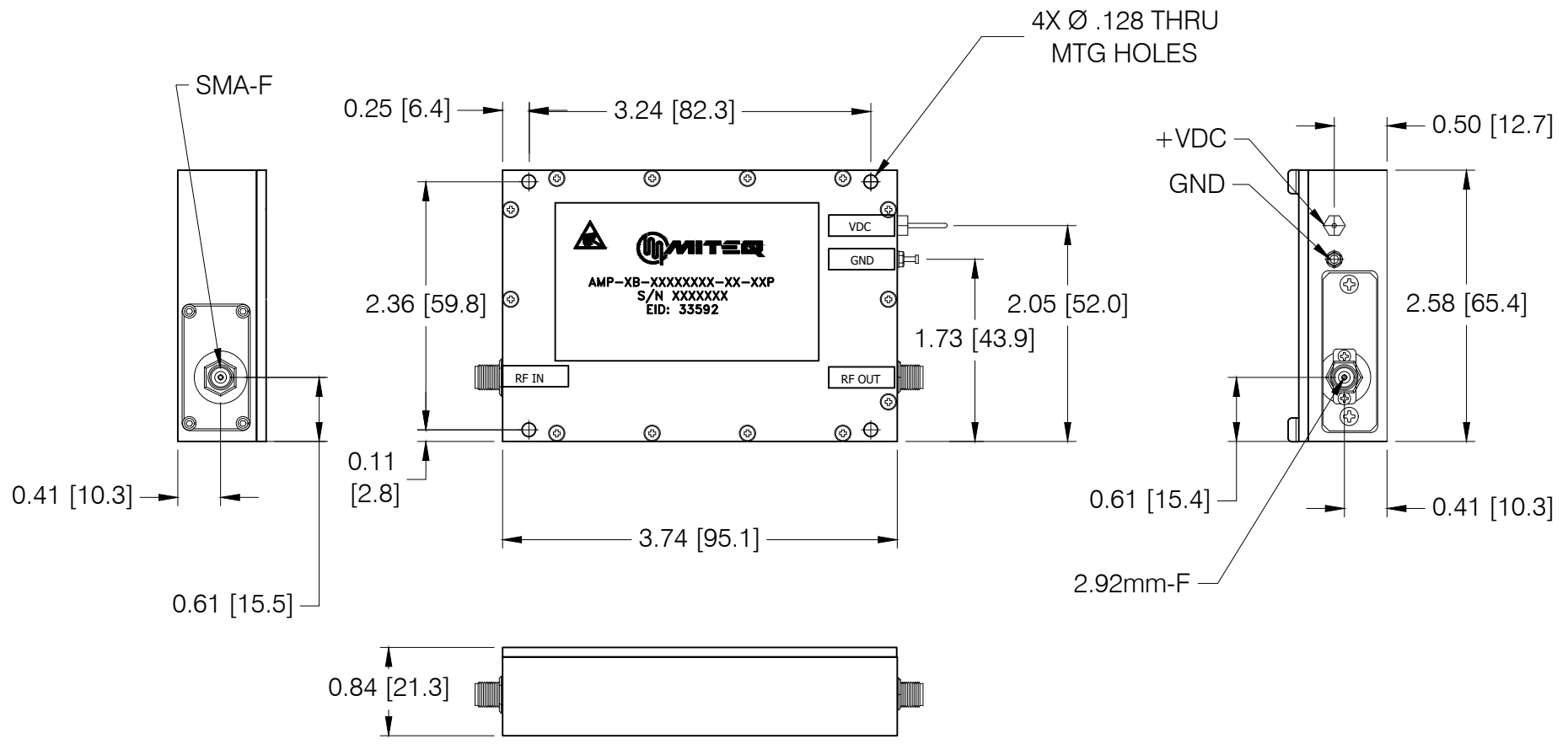
C

B

B

A

A



NOTE:
1. LABELS POSITIONED APPROXIMATELY AS SHOWN.

PRINT NOT ON AUTOMATIC DISTRIBUTION VERIFY REVISION PRIOR TO USE

| | | | | | | |
|--|---|--|---|---|--|--|
| <p>Narda-MITEQ PROPRIETARY THIS DOCUMENT CONTAINS INFORMATION WHICH IS PROPRIETARY TO Narda-MITEQ. THE CONTENTS SHALL NOT BE DISCLOSED, COPIED, DISTRIBUTED, OR USED UNLESS AUTHORIZED BY AN OFFICER OF Narda-MITEQ.</p> | | | <p>UNLESS OTHERWISE SPECIFIED DIMENSIONS ARE IN INCHES TOLERANCES ON DECIMALS ANGLES .XX ± .01 .XXX ± .005 ± 0°30'</p> | <p>DRAWN NAME: <i>Ky. Bourard</i> DATE: <i>08/29/13</i></p> | <p>435 MORELAND RD HAUPPAUGE, NY 11788</p> | |
| | | | | <p>DRAFT DESIGN NAME: <i>L. Scammara</i> DATE: <i>04/20/17</i></p> | | <p>OUTLINE DRAWING AMP-XB-X-XP SSPA</p> |
| | <p>THESE ITEM(S)/TECHNOLOGY CONTAIN INFORMATION SUBJECT TO U.S. GOVERNMENT EXPORT CONTROL IN ACCORDANCE WITH THE EXPORT ADMINISTRATION REGULATIONS (EAR), 15 CFR PARTS 730-744. EXPORT OF THIS DATA TO ANY FOREIGN COUNTRY OR DISCLOSURE OF THIS DATA TO ANY NON-US PERSON MAY BE A VIOLATION OF FEDERAL LAW.</p> | | | | <p>PROJ ENGR NAME: <i>F. Namira</i> DATE: <i>05/08/17</i></p> | <p>SIZE CODE IDENT. NO. REV. C 99899 209433 C</p> |
| | <p>NEXT ASSY USED ON</p> | | | | <p>APPROVED BY</p> | <p>SCALE REF MQ0191226 SHEET 1 OF 1</p> |
| | | | <p>PROJECTION </p> | <p>MATERIAL</p> | <p>AUTOCAD FILE FORMAT</p> | |
| | | | <p>FINISH</p> | | | |
| | | | <p>APPLICATION</p> | | | |

4

3

2

1

209433

AUTOCAD 12/2011