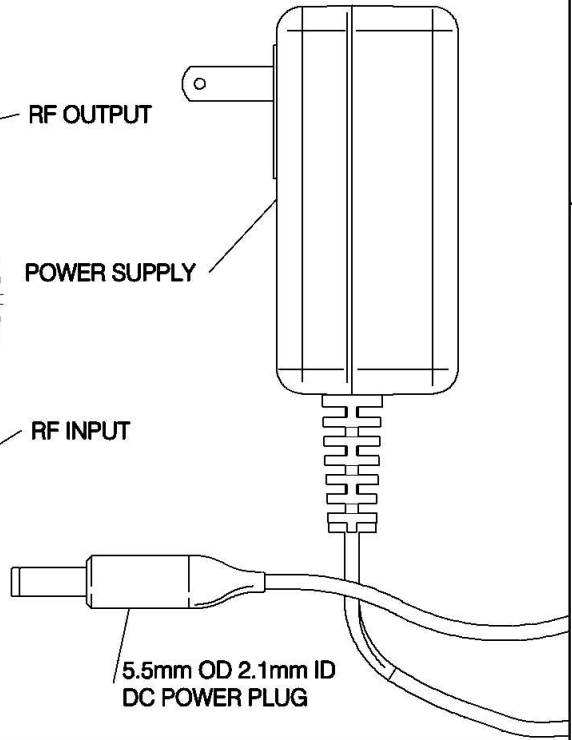
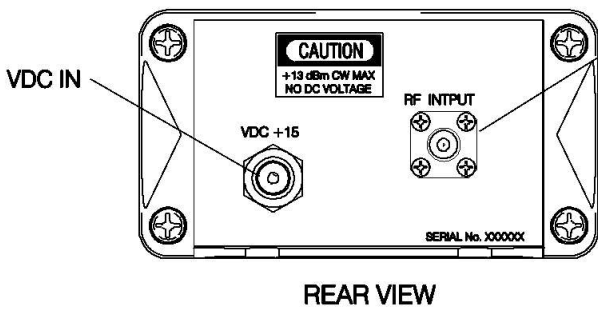
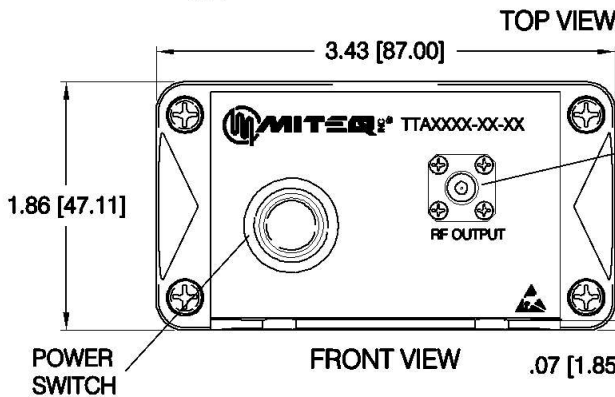
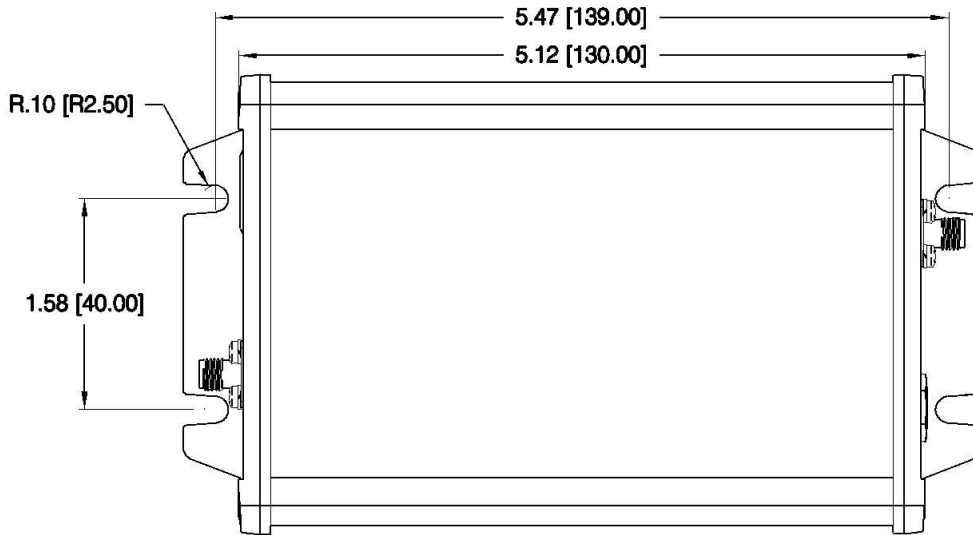


DASH NO.	APPLICATION		REVISIONS			
	NEXT ASSY	USED ON	LTR	DESCRIPTION	DATE	APPROVED
			A	Initial Release	01/30/13	<i>R. Scherer</i>



UNLESS OTHERWISE SPECIFIED DIMENSIONS ARE IN INCHES TOLERANCES ON DECIMAL .X ±0.1 DECIMAL .XX ±0.01 DECIMAL .XXX ±0.005 ANGLES X° ±30°	NAME	DATE	100 Davids Drive, Hauppauge, New York 11788 TTA SERIES WITH MOUNTING OUTLINE		
	DWN <i>R. Scherer</i>	01/30/13			
	DFT DES <i>R. Scherer</i>	02/28/13			
	PROJ ENGR <i>N. Pratik</i>	02/28/13	SIZE	CODE IDENT. NO.	REV
	MFG ENGR		A	33592	A
Q.C.		SCALE	PROJECT	SHEET	OF
CUST				1	1