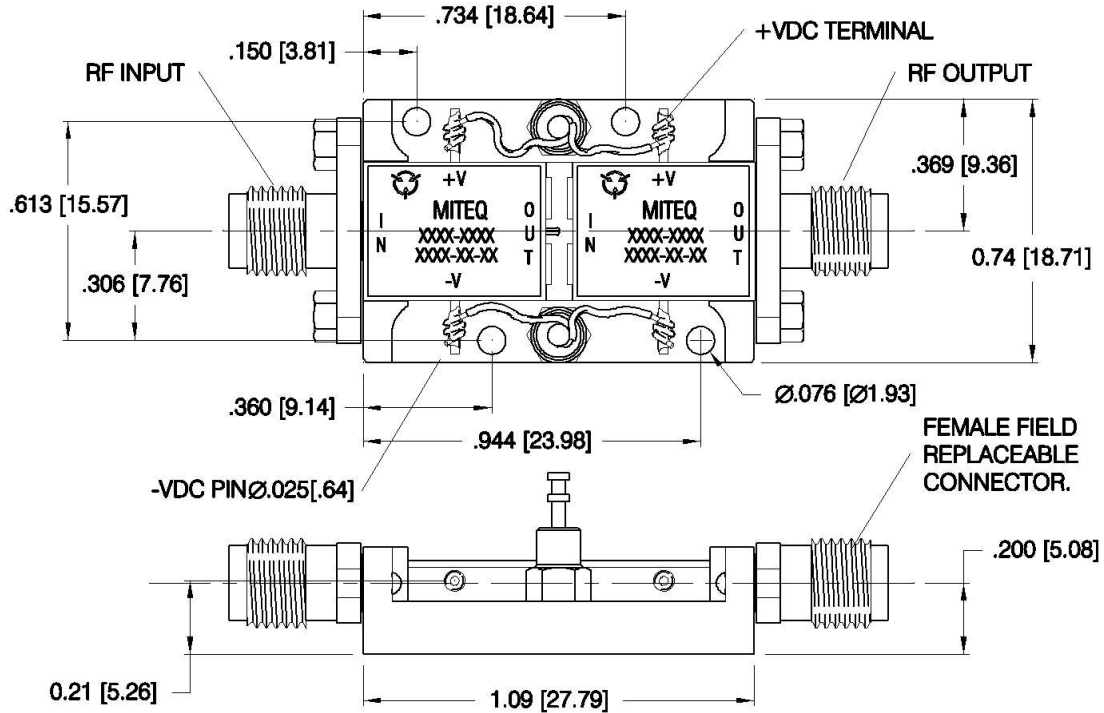


DASH NO.	APPLICATION		REVISIONS			
	NEXT ASSY	USED ON	LTR	DESCRIPTION	DATE	APPROVED
			B	Incorporate ECN 26761	02/19/13	<i>RiScherer</i>



NOTES
 DIMENSIONS IN BRACKETS ARE METRIC EQUIVALENT
 MARKING AND WIRING MAY VARY

UNLESS OTHERWISE SPECIFIED DIMENSIONS ARE IN INCHES TOLERANCES ON	NAME	DATE	 100 Davids Drive, Hauppauge, New York 11788			
	DWN <i>RiScherer</i>	02/11/13				
DECIMAL .X ±0.1 [2.5] DECIMAL .XX ±0.01 [0.25] DECIMAL .XXX ±0.005 [0.13] ANGLES X° ±30°	DFT DGN <i>RiScherer</i>	02/19/13	OUTLINE JP SERIES CASCADED			
	PROJ ENGR <i>J. Decker</i>	02/20/13				
 ESD SENSITIVE	MFG ENGR		SIZE	CODE IDENT. NO.		REV
	Q.C.		A	33592	207767	B
	CUST		SCALE	PROJECT	SHEET	OF