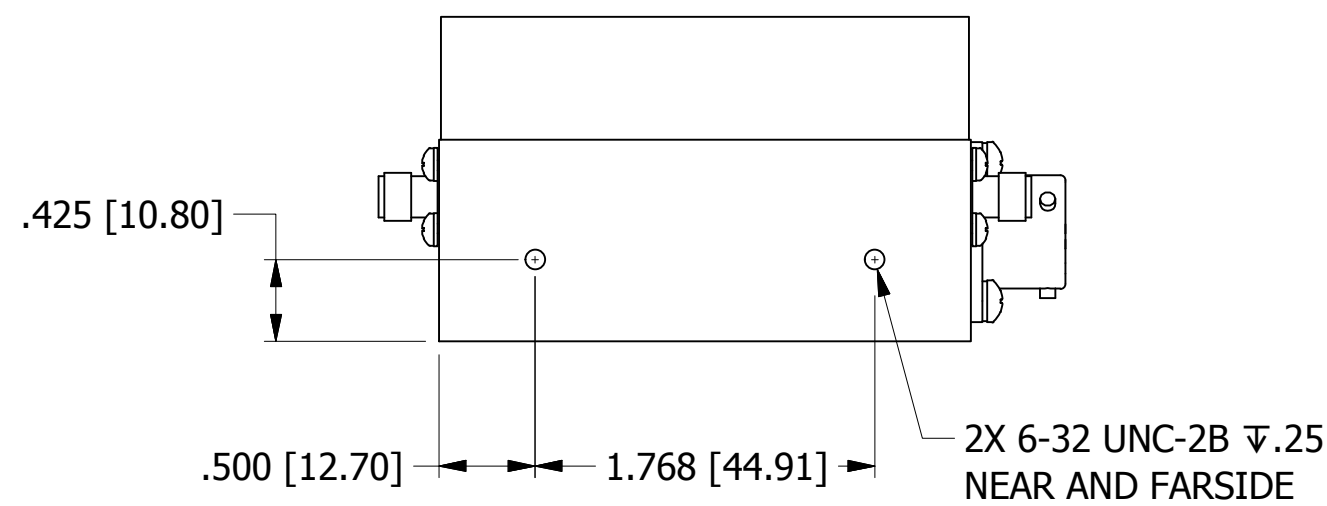
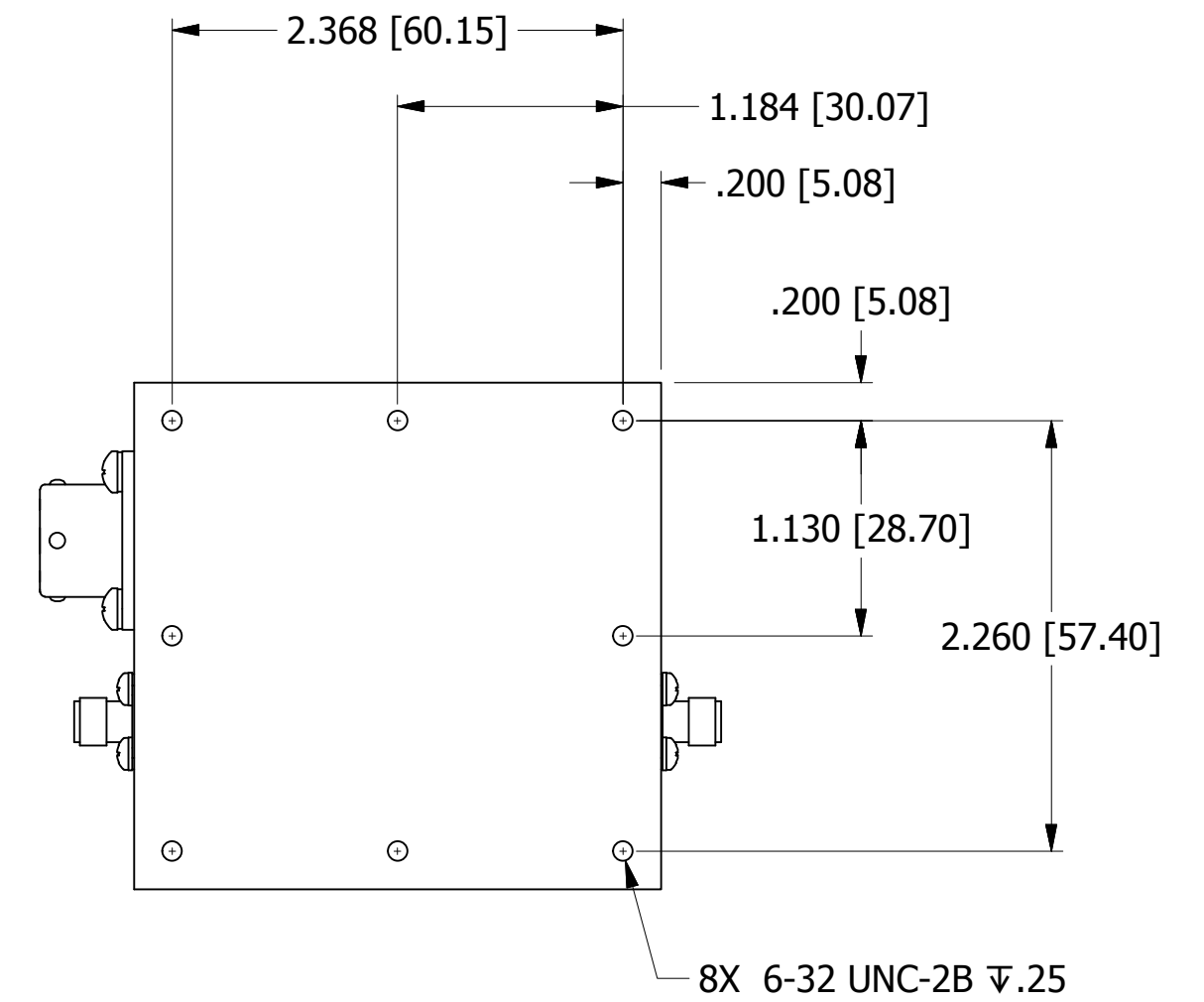
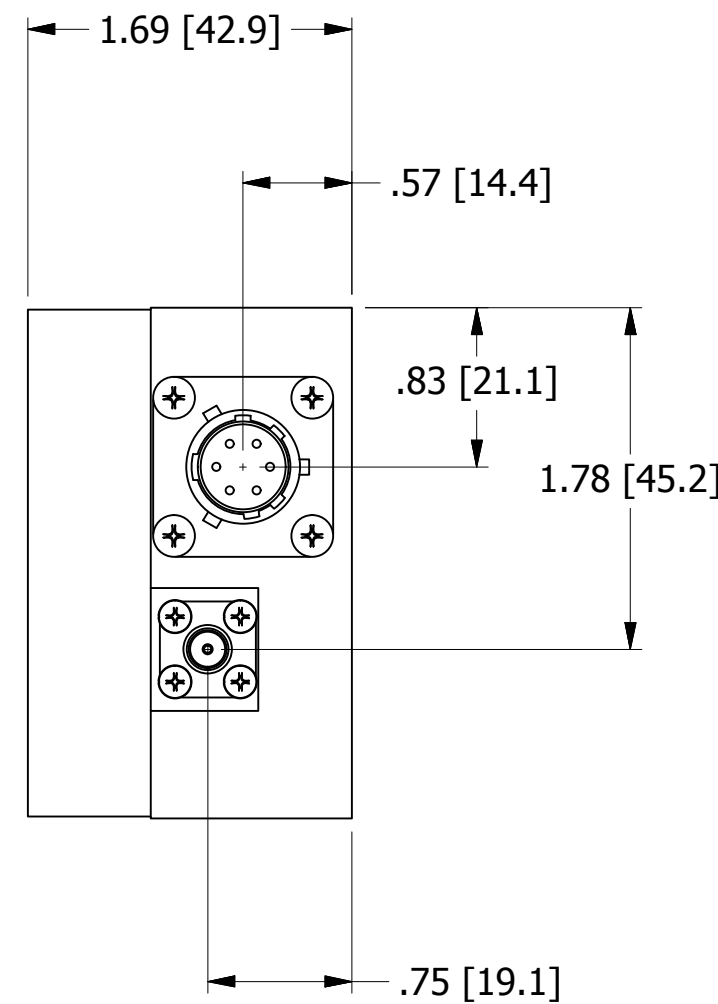
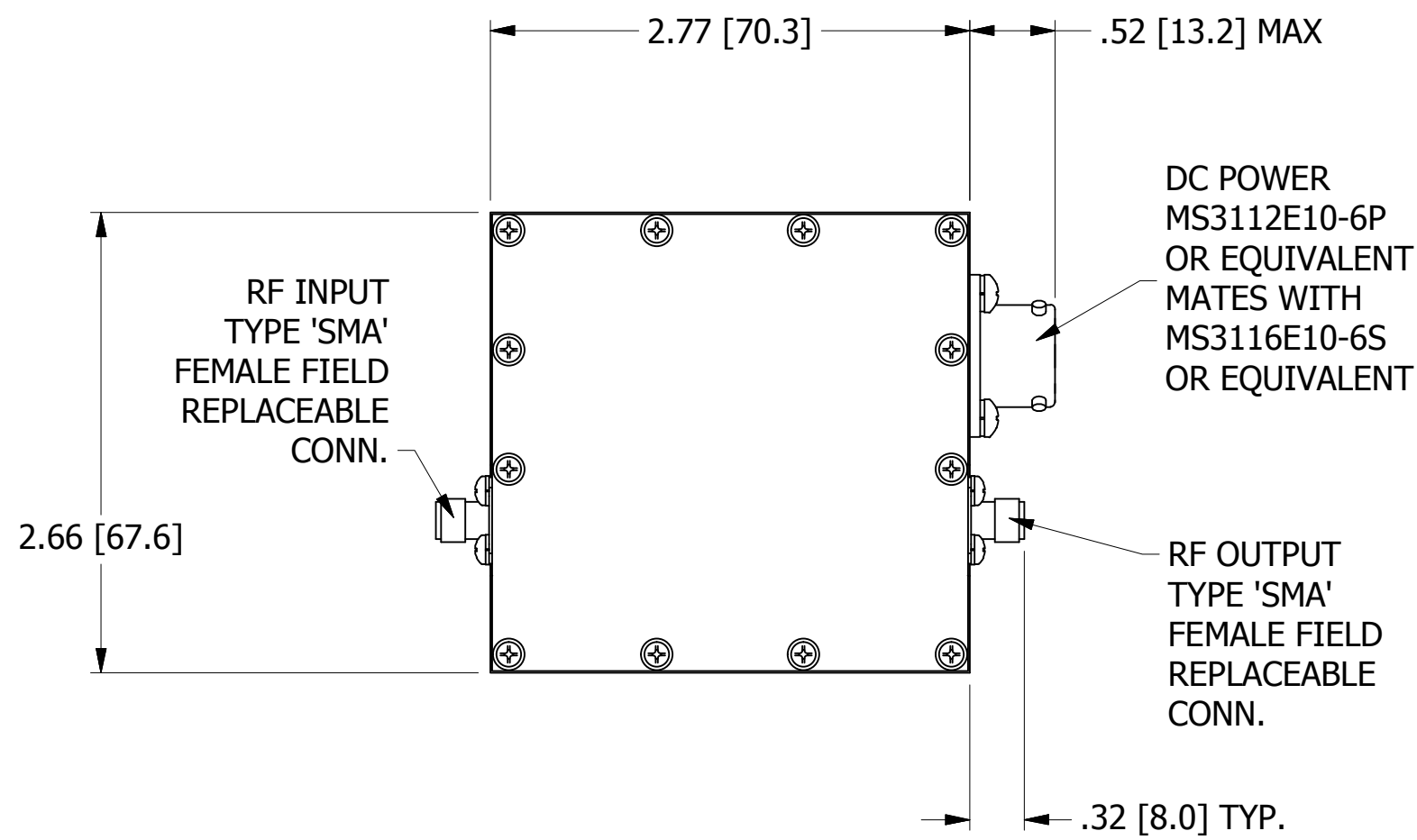
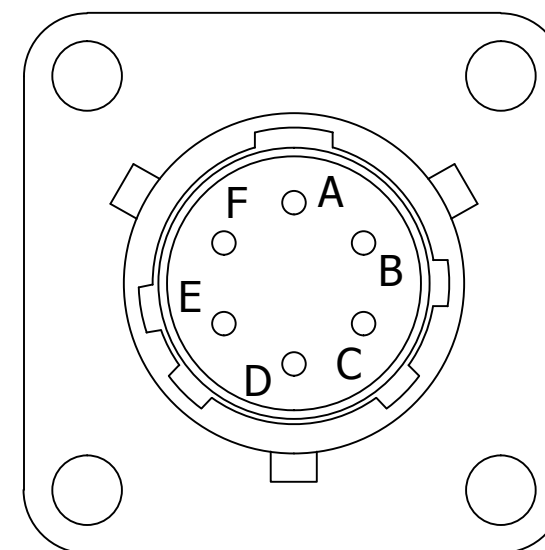


REVISIONS				
ZONE	LTR	DESCRIPTION	DATE	APPROVED
	A	INITIAL RELEASE	1/25/2013	<i>E. Pienna</i>



MS3112E10-6P OR EQUIVALENT




CONNECTOR INFORMATION

STANDARD LNA	
PIN	DESCRIPTION
A	+12 VDC TO +28 VDC
B	GROUND
C	GROUND
D	NOT USED
E	NOT USED
F	NOT USED

LNA WITH FAULT ALARM	
PIN	DESCRIPTION
A	+15 VDC TO +28 VDC
B	GROUND
C	GROUND
D	ALARM, NORMALLY OPEN
E	ALARM, COMMON CONNECTION
F	ALARM, NORMALLY CLOSED

NOTES

1. METRIC EQUIVALENTS ARE SHOWN IN BRACKETS [ ]
2. TYPE 'N' CONN AVAILABLE AS AN OPTION.
3. **RoHS N/R** - NOT REQUIRED
4. ITAR - THIS DOCUMENT IS **NOT ITAR** CONTROLLED

-5	-4	-3	-2	-1	NOMENCLATURE OR DESCRIPTION	SYM/NOTES	PART NO.	CODE IDENT.	ITEM NO.
					UNLESS OTHERWISE SPECIFIED DIMENSIONS ARE IN INCHES TOLERANCES ON DECIMALS .XX±.01 ANGLES ±0°30'	DRN BY <i>E. Pienna</i> NAME DATE 1/25/2013	 <p>100 Davids Drive, Hauppauge, New York 11788</p> <p><b>OUTLINE, Ku/X BAND WEATHERPROOF INTEGRATED AMP W/ ALARM OPTION</b></p>		
					MATERIAL 6061-T6 ALUM. ALLOY	CHKD BY <i>E. Pienna</i> DATE 1/25/2013			
					FINISH PAINTED	APPROVED BY <i>J. Espulveda</i> DATE 1/25/2013			
					HEAT TREAT	ENG SECT			
					NEXT ASSY USED ON APPLICATION	Q.A.	SIZE C	CODE IDENT. NO. 33592	REV. A
							SCALE	REF	SHEET 1 OF 1