

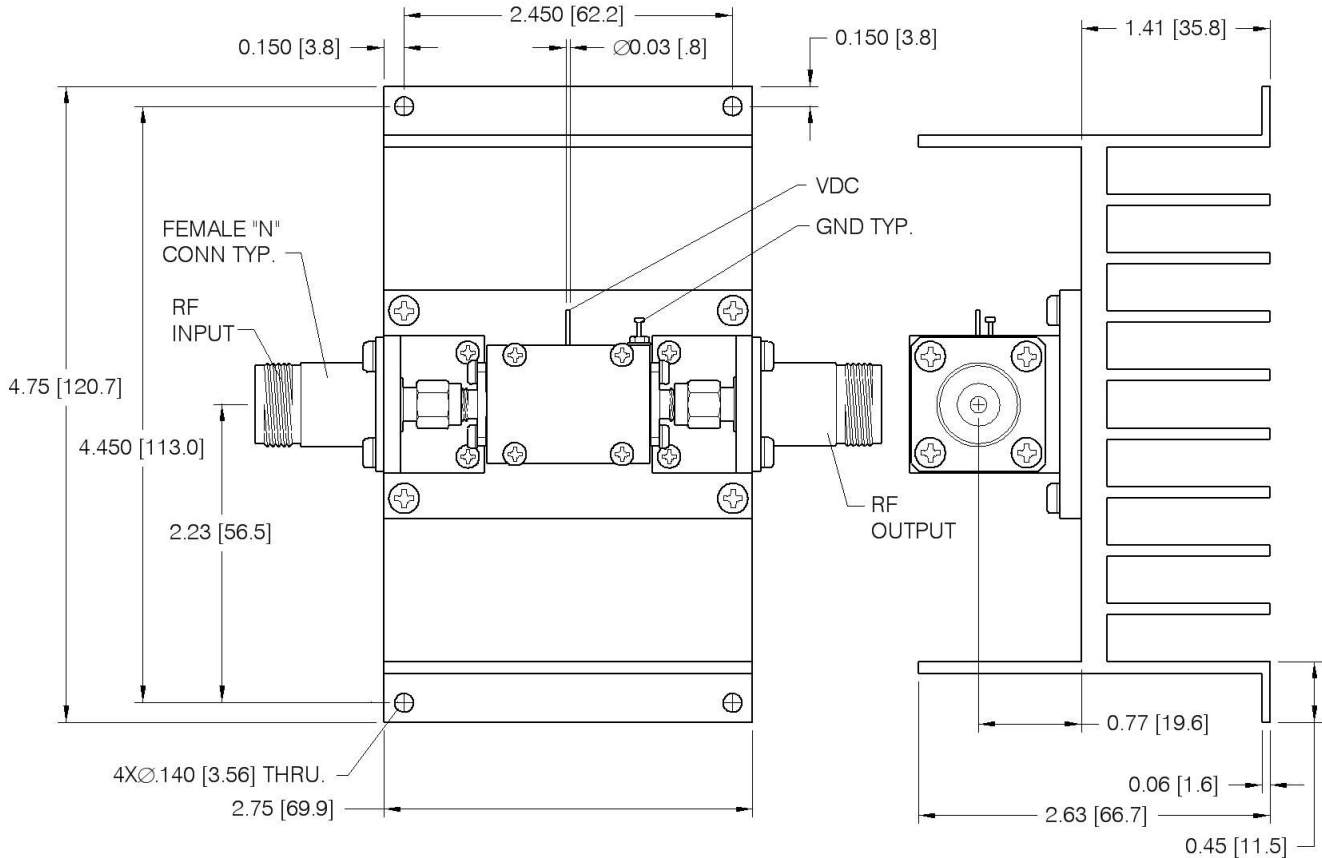
# Current Revision

As of 9/17/2012 12:56:34 PM

DWALATA



DASH NO.	APPLICATION		REVISIONS			
	NEXT ASSY	USED ON	LTR	DESCRIPTION	DATE	APPROVED
			A	INITIAL RELEASE PER DWO 91028379	09/13/12	<i>E. Pierno</i>



**NOTES:**

1. METRIC EQUIVALENTS ARE IN PARENTHESES.
2. OPTIONAL MALE OR FEMALE CONNECTOR CAN BE SPECIFIED PER CUSTOMER REQUIREMENTS.
3. RoHS - THIS PRODUCT IS RoHS COMPLIANT
4. ITAR - THIS DOCUMENT IS NOT ITAR CONTROLLED.

UNLESS OTHERWISE SPECIFIED DIMENSIONS ARE IN INCHES TOLERANCES ON	NAME	DATE	 100 Davids Drive, Hauppauge, New York 11788		
	DWN BY <i>E. Pierno</i>	09/13/12			
DECIMAL .XX ±.01 DECIMAL .XXX ±.005 ANGLES X° ±30'	CHK BY <i>E. Pierno</i>	09/17/12	OUTLINE AMF-4F-00500400-16-13P-N-HS-R		
	PROJ ENG BY <i>John Sepúlveda</i>	09/17/12			
SECT HEAD			SIZE	CODE IDENT. NO.	REV
Q.C.			A	33592	A
CUST			SCALE	PROJECT MQ0186574	SHEET 1 OF 1