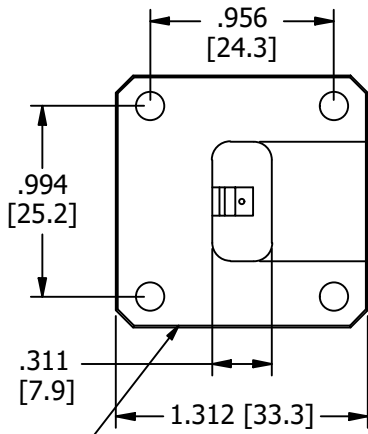
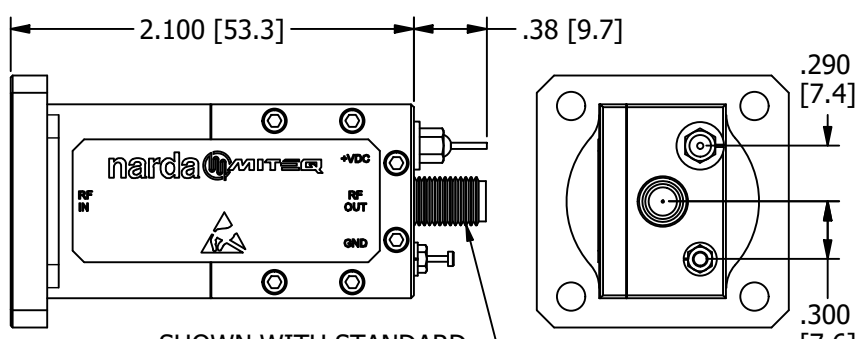




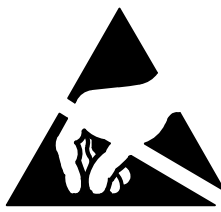
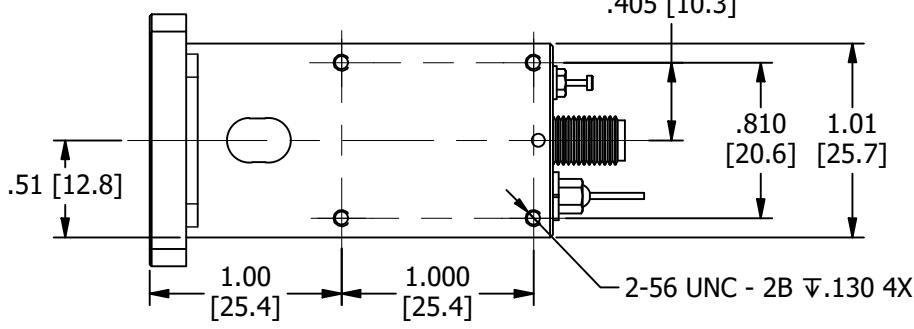
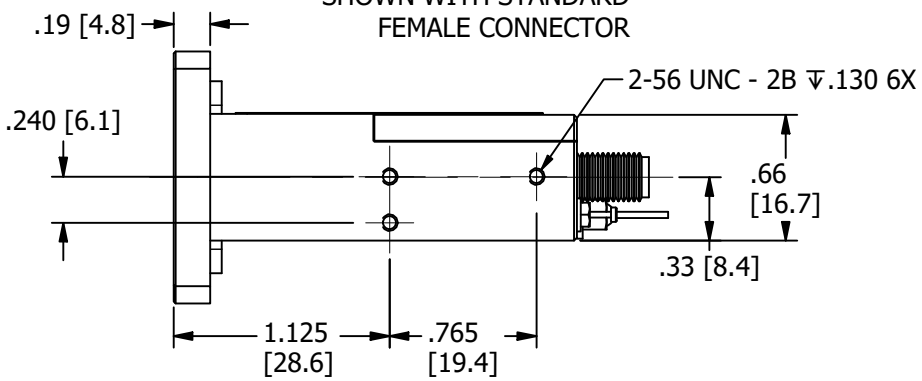
APPLICATION		REVISIONS			
NEXT ASSY	USED ON	LTR	DESCRIPTION	DATE	APPROVED
		D	Incorporated ECN 53067	9/14/2021	



SQUARE  
CONFORMS TO WR62  
WAVEGUIDE FLANGE,  
SEE NOTE 4



SHOWN WITH STANDARD  
FEMALE CONNECTOR



**NOTES**

1. DIMENSIONS IN BRACKETS [ ] ARE IN MM
2. ALUMINUM ALLOY 6061-T6 TRIVALENT CHROMATE CONVERSION. INTERNAL AMPLIFIER KOVAR
3. MARKING MAY VARY AS PER CUSTOMER SPECIFICATIONS.
4. FLANGE OPTIONS, COVER FLANGE 204157-1, GASKET FLANGE 204157-2 , AND CHOKE FLANGE 204157-3
5. FOR MALE GENDERED CONNECTOR ADD "-M" TO MODEL NUMBER.

PRINT NOT ON AUTOMATIC DISTRIBUTION  
VERIFY REVISION PRIOR TO USE



**OUTLINE DRAWING WR62 LNA  
OUTLINE**

Narda-MITEQ PROPRIETARY  
THIS DOCUMENT CONTAINS INFORMATION WHICH IS PROPRIETARY TO Narda-MITEQ. THE CONTENTS SHALL NOT BE DISCLOSED, COPIED, DISTRIBUTED OR USED UNLESS AUTHORIZED BY AN OFFICER OF Narda-MITEQ.

THIS TECHNICAL DATA IS CONTROLLED UNDER THE EXPORT ADMINISTRATION REGULATIONS (EAR) AND MAY NOT BE EXPORTED TO A FOREIGN PERSON, EITHER IN THE U.S. OR ABROAD, WITHOUT PROPER AUTHORIZATION BY THE U.S. DEPARTMENT OF COMMERCE.

ALL PAGES ARE OF ORIGINAL ISSUE (A) EXCEPT AS NOTED	DRN BY	NAME	DATE
	CHK BY	<i>JBuonaiuto</i>	1/23/2020
UNLESS OTHERWISE SPECIFIED DIMENSIONS ARE IN INCHES TOLERANCES ON	APPROVED BY		
	PROJ ENGR		
	ENG SECT		
	Q.A.		
DECIMALS .X\u00b1.1 .XX\u00b1.01 .XXX\u00b1.005	ANGLES \u00b10~30'		
PROJECTION	CUST APPR		

SIZE	CODE INCDENT	DRAWING NUMBER	REV
A	99899	204157	D
SCALE	REF	SHEET 1 OF 1	

