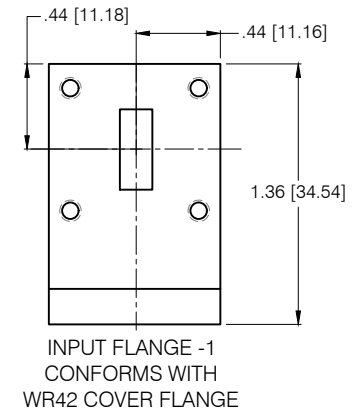
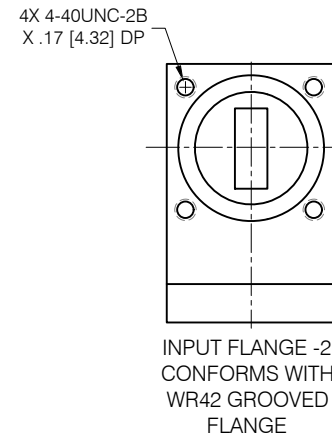
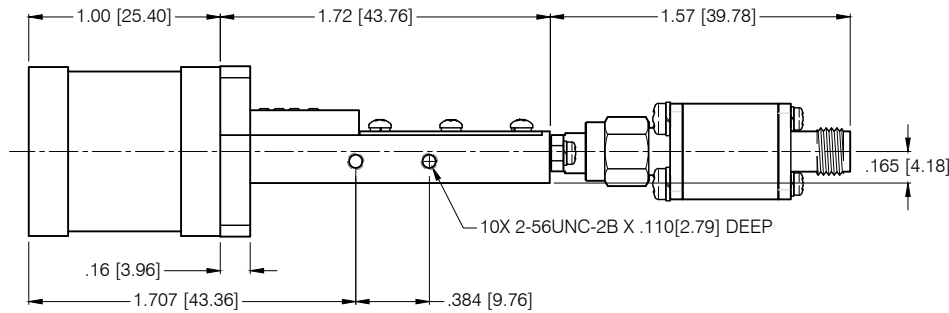
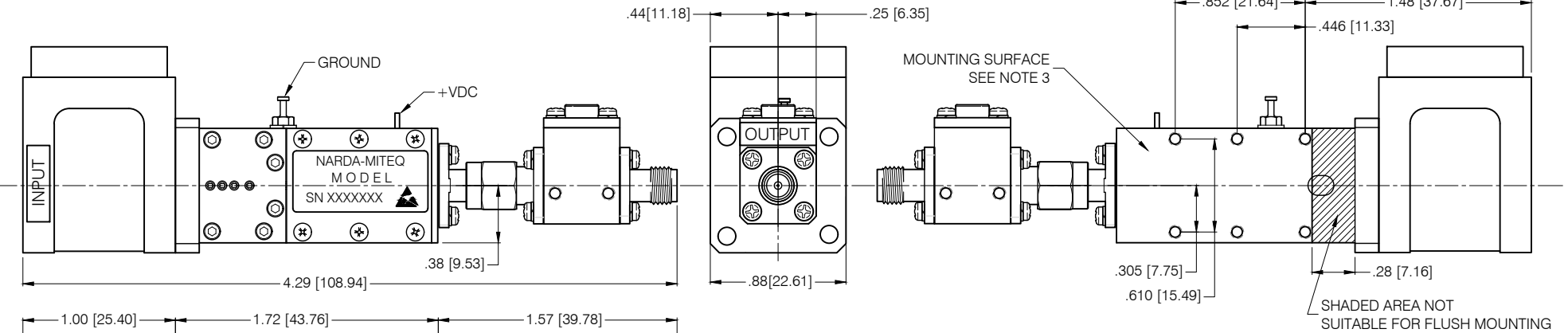
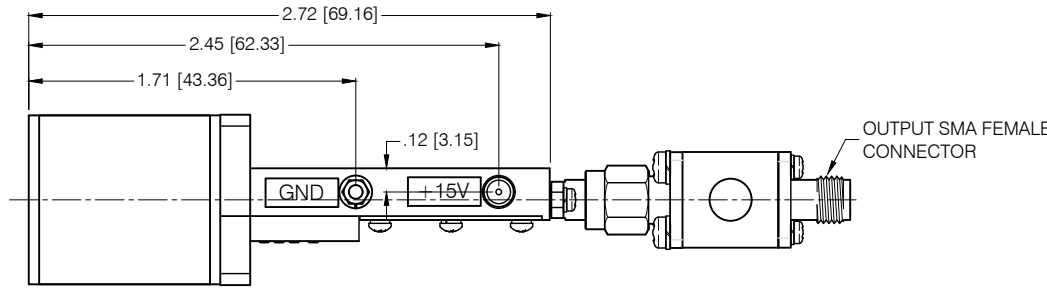


REVISIONS				
ZONE	LTR	DESCRIPTION	DATE	APPROVED
	D	Incorporate ECN 38504	04/26/17	rs



DASH NO.	FLANGE TYPE
-1	COVER
-2	GROOVED

PRINT NOT ON AUTOMATIC DISTRIBUTION VERIFY REVISION PRIOR TO USE

- NOTES
- METRIC EQUIVALENTS ARE IN PARENTHESES.
 - EXTERIOR FINISH POLYURETHANE PAINT MIL-PRF-85285, S/G REFRIGERATOR WHITE.
 - MOUNTING SURFACE AND WAVEGUIDE FLANGE TO BE FREE OF PAINT.

Narda-MITEQ PROPRIETARY THIS DOCUMENT CONTAINS INFORMATION WHICH IS PROPRIETARY TO Narda-MITEQ. THE CONTENTS SHALL NOT BE DISCLOSED, COPIED, DISTRIBUTED, OR USED UNLESS AUTHORIZED BY AN OFFICER OF Narda-MITEQ.		UNLESS OTHERWISE SPECIFIED DIMENSIONS ARE IN INCHES TOLERANCES ON DECIMALS .XX ± .01 .XXX ± .005 ANGLES ± 0°30'		 435 MORELAND RD HAUPPAUGE, NY 11788	
THESE ITEM(S)/TECHNOLOGY CONTAIN INFORMATION SUBJECT TO U.S. GOVERNMENT EXPORT CONTROL IN ACCORDANCE WITH THE EXPORT ADMINISTRATION REGULATIONS (EAR), 15 CFR PARTS 730-744. EXPORT OF THIS DATA TO ANY FOREIGN COUNTRY OR DISCLOSURE OF THIS DATA TO ANY NON-US PERSON MAY BE A VIOLATION OF FEDERAL LAW.		PROJECTION		DRAWN <i>KJ Bovaird</i> DATE 08/15/11 DRAFT DESIGN <i>rs</i> 12/06/17	
NEXT ASSY USED ON		MATERIAL		APPROVED BY	
APPLICATION		FINISH		PROJ ENGR <i>J. Sepulveda</i> 05/01/17 MFG ENGR O.A.	
AUTOCAD FILE FORMAT		SIZE C		CODE IDENT. NO. 99899	
SCALE		REF		201589	
SHEET 1 OF 1		REV. D		1	

201589

AUTOCAD 12/2011