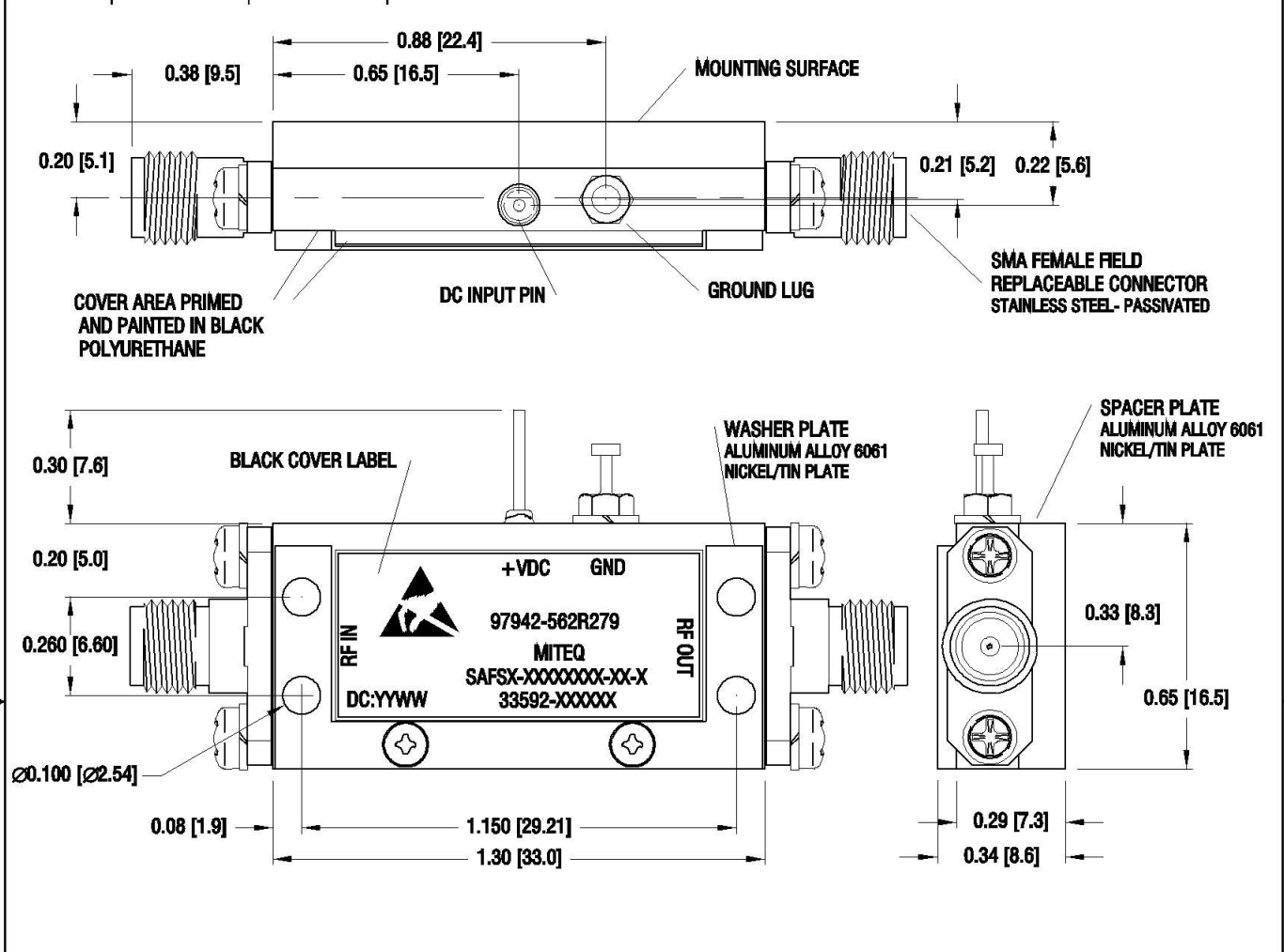


DASH NO.	APPLICATION		REVISIONS			
	NEXT ASSY	USED ON	LTR	DESCRIPTION	DATE	APPROVED
	HSG 198608	CVR 198609	C	Incorporate ECN 18871	02/03/11	<i>R. Scherer</i>
	PLT 198610	PLT 198959				



NOTES:  
 AMPLIFIER MADE OF KOVAR NICKEL/GOLD PLATING  
 CONNECTORS STAINLESS STEEL PASSIVATED  
 SPACER PLATE AND WASHER PLATE, ALUMINUM NICKEL/TIN PLATING  
 ESTIMATED WEIGHT 34.5 GRAMS

UNLESS OTHERWISE SPECIFIED DIMENSIONS ARE IN INCHES TOLERANCES ON DECIMAL .X ±0.1 DECIMAL .XX ±0.02 DECIMAL .XXX ±0.005 ANGLES X° ±30°	NAME	DATE	100 Davids Drive, Hauppauge, New York 11788		
	DWN BY <i>R. Scherer</i>	01/07/11			
	CHK BY <i>R. Scherer</i>	02/03/11	AMPLIFIER OUTLINE 562R279		
	PROJ ENGR <i>J. Buonaiuto</i>	02/03/11			
ESD SENSITIVE DEVICE 	SECT HEAD		SIZE	CODE IDENT. NO.	REV
	Q.C.		A	33592	C
	CUST		SCALE	PROJECT	SHEET