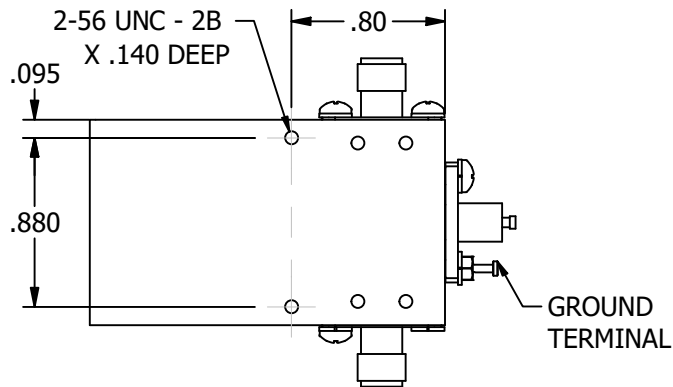
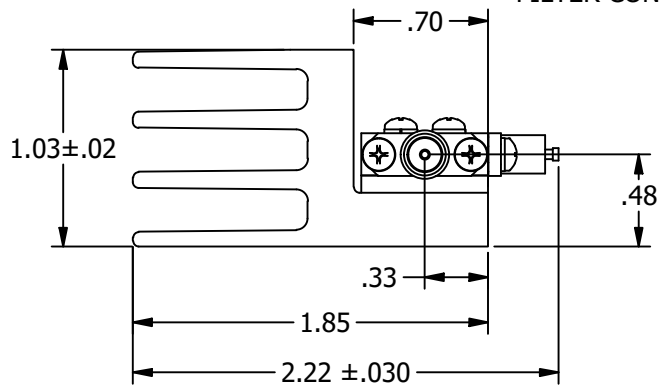
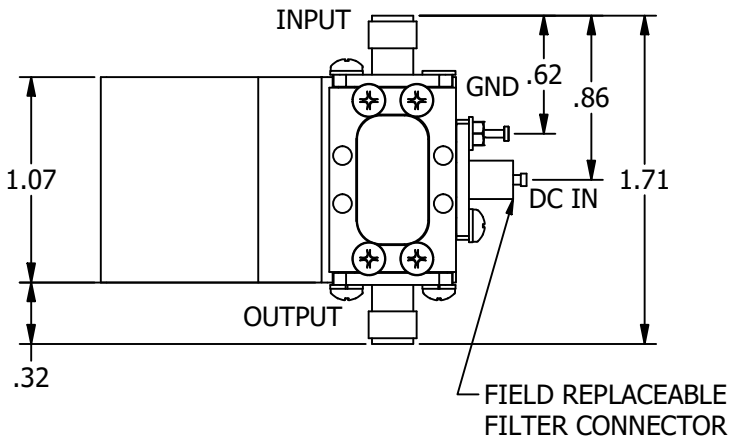
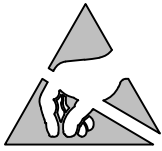


2

1

APPLICATION		REVISIONS			
NEXT ASSY	USED ON	LTR	DESCRIPTION	DATE	APPROVED
198451		C	INCORPORATE ECN 38876	6/7/2017	rs



NOTES

1. INPUT AND OR OUTPUT RF CONNECTORS ARE SMA FEMALE FIELD REPLACEABLE. SERIES AND GENDER OPTIONS AVAILABLE.
2. AMPLIFIER HOUSING AVAILABLE IN KOVAR OR ALUMINUM
3. HEAT SINK EXTRUSION MAY VARY

Narda-MITEQ PROPRIETARY
 THIS DOCUMENT CONTAINS INFORMATION WHICH IS PROPRIETARY TO Narda-MITEQ. THE CONTENTS SHALL NOT BE DISCLOSED, COPIED, DISTRIBUTED OR USED UNLESS AUTHORIZED BY AN OFFICER OF Narda-MITEQ.

THIS TECHNICAL DATA IS CONTROLLED UNDER THE EXPORT ADMINISTRATION REGULATIONS (EAR) AND MAY NOT BE EXPORTED TO A FOREIGN PERSON, EITHER IN THE U.S. OR ABROAD, WITHOUT PROPER AUTHORIZATION BY THE U.S. DEPARTMENT OF COMMERCE.

PRINT NOT ON AUTOMATIC DISTRIBUTION
 VERIFY REVISION PRIOR TO USE



435 MORELAND RD HAUPPAUGE, NY 11788

LCA/AWS SERIES ANPLIFIER WITH HEATSINK

ALL PAGES ARE OF ORIGINAL ISSUE (A) EXCEPT AS NOTED	DRN BY	NAME	DATE
	CHK BY		
UNLESS OTHERWISE SPECIFIED DIMENSIONS ARE IN INCHES TOLERANCES ON	APPROVED BY		
	PROJ ENGR		
	ENG SECT		
	Q.A.		
DECIMALS .X±.1 .XX±.01 .XXX±.005	ANGLES ±0~30'		
PROJECTION	CUST APPR		

SIZE	CODE INCDENT	DRAWING NUMBER	REV
A	99899	198450	C
SCALE	REF	SHEET 1 OF 1	

2

1