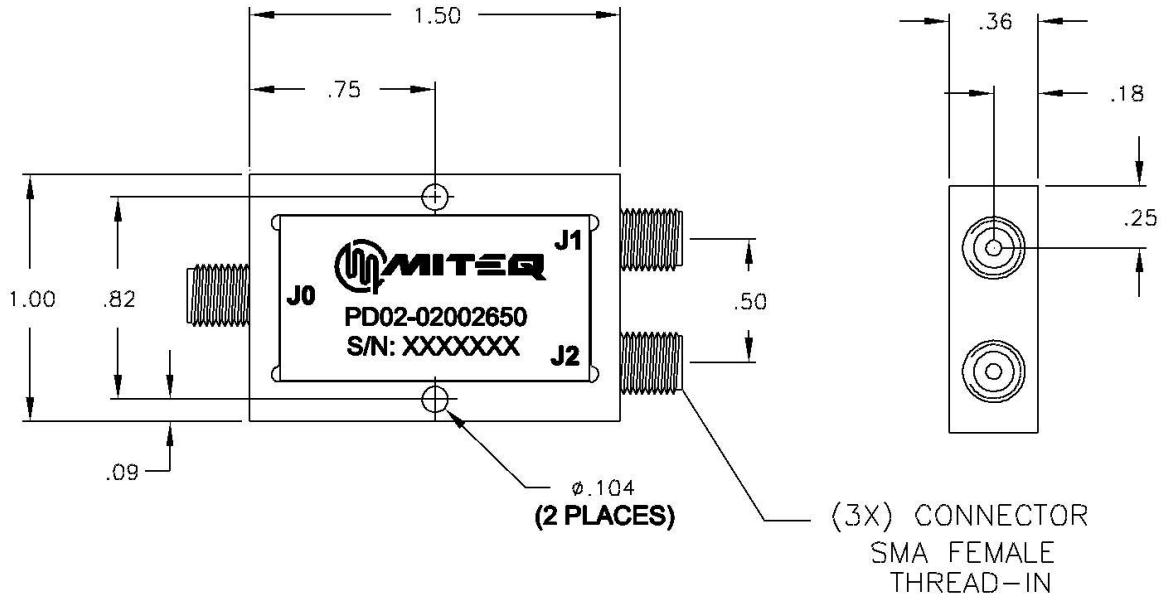


DASH NO.	APPLICATION		REVISIONS			
	NEXT ASSY	USED ON	LTR	DESCRIPTION	DATE	APPROVED
			A	INITIAL RELEASE	07/15/10	B. Andrews



NOTES:

- FINISH:
SODIUM ZINCATE ELECTROLESS NICKEL .0002-.0004 MICRO-INCHES PER SAE AMC-C-26074B.

ALL PAGES ARE OF ORIGINAL ISSUE (A) EXCEPT AS NOTED.	CONTR. NO. 38POD77	100 Davids Drive, Hauppauge, New York 11788	
	PREP BY <i>B. Davidsson</i> DATE 07/15/10		
<small>UNLESS OTHERWISE SPECIFIED DIMENSIONS ARE IN INCHES (MM) TOLERANCES ON DECIMAL ANGLES</small> <small>.00&.01 .00&.006 20°/30°</small>	CHKD BY <i>B. Andrews</i> DATE 07/19/10	OUTLINE DRAWING 2-WAY POWER DIVIDER PD02-02002650	
	PROJ ENGR <i>W. Davidsson</i> DATE 07/16/10		
	APPROVAL (PROJ)	SIZE A	CODE IDENT. NO. 196295
	APPROVAL (GOVT)	SCALE	REV. A SHEET 1 OF 1