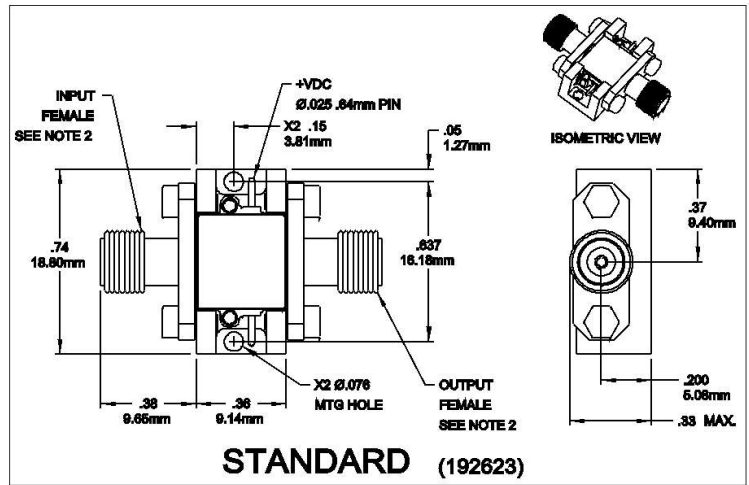
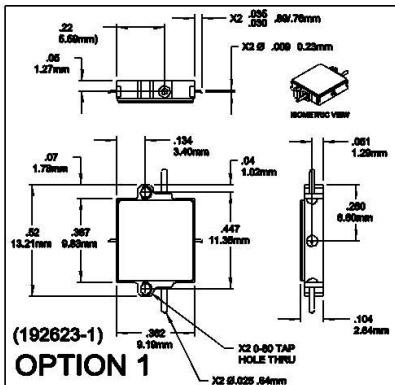
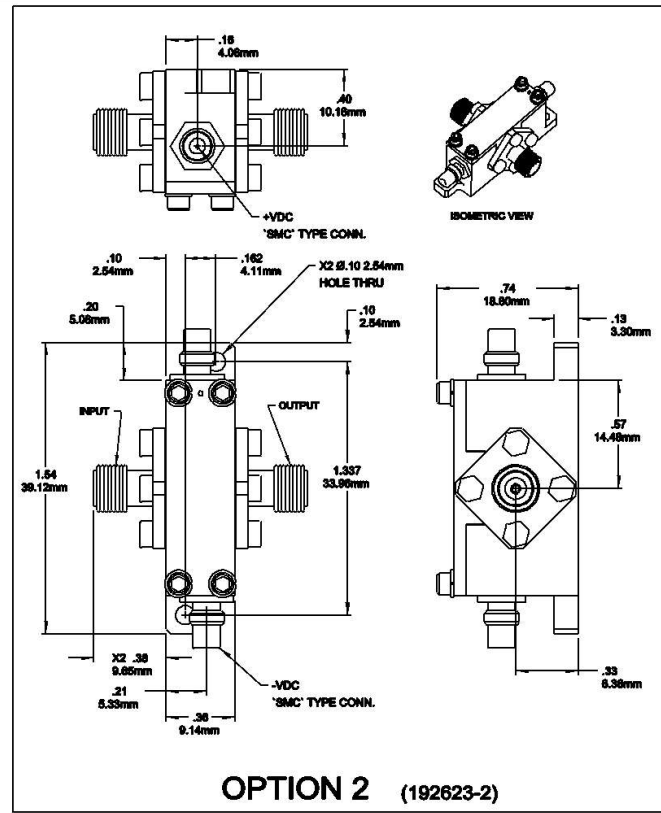
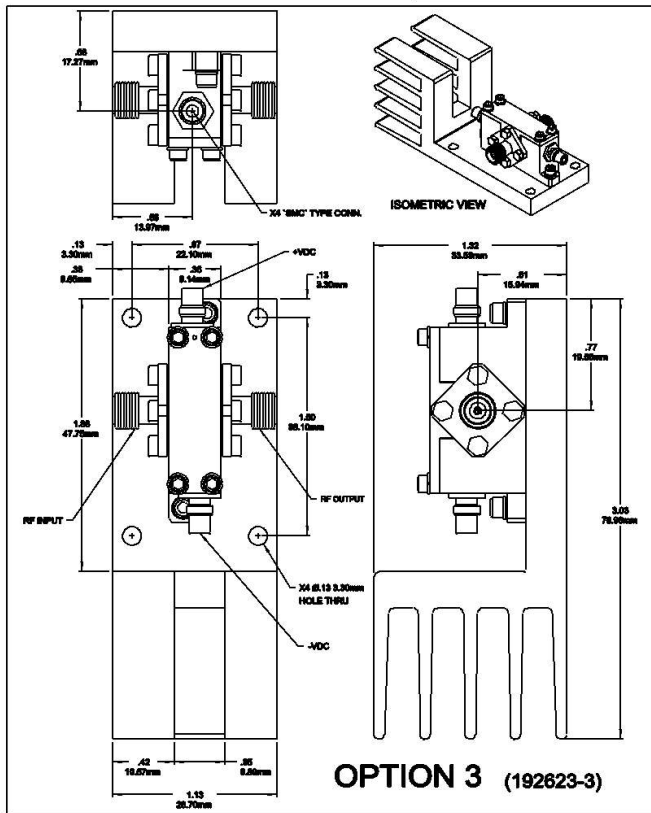


DASH NO.	APPLICATION		REVISIONS			
	NEXT ASSY	USED ON	LTR	DESCRIPTION	DATE	DRAFTING
			A	INITIAL RELEASE	11/17/09	



NOTE:
 1. SECONDARY DIMENSIONS ARE IN MILLIMETERS.
 2. CONNECTORS: 'SMA' STANDARD, 'K' AND 'V' TYPE FOR HIGHER FREQUENCIES.

ALL PAGES ARE OF ORIGINAL ISSUE (A) EXCEPT AS NOTED.	CONTR NO.		 100 Davids Drive, Hauppauge, New York 11788
	PREP BY	DATE	
TOL: .XXX=.010 .XX=.02	NAME	DATE	OUTLINE, AMPLIFIER, DUAL D.C., JS TYPE
	DESIGN		
	PROJ ENGR	DATE	SIZE A CODE IDENT. NO. 33592 192623
	MFG ENGR		SCALE REV. A SHEET 1 OF 1
Q.A.			