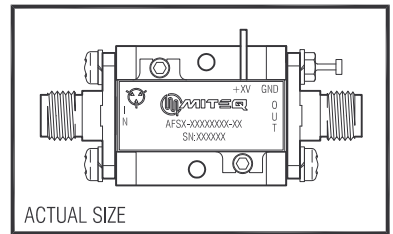
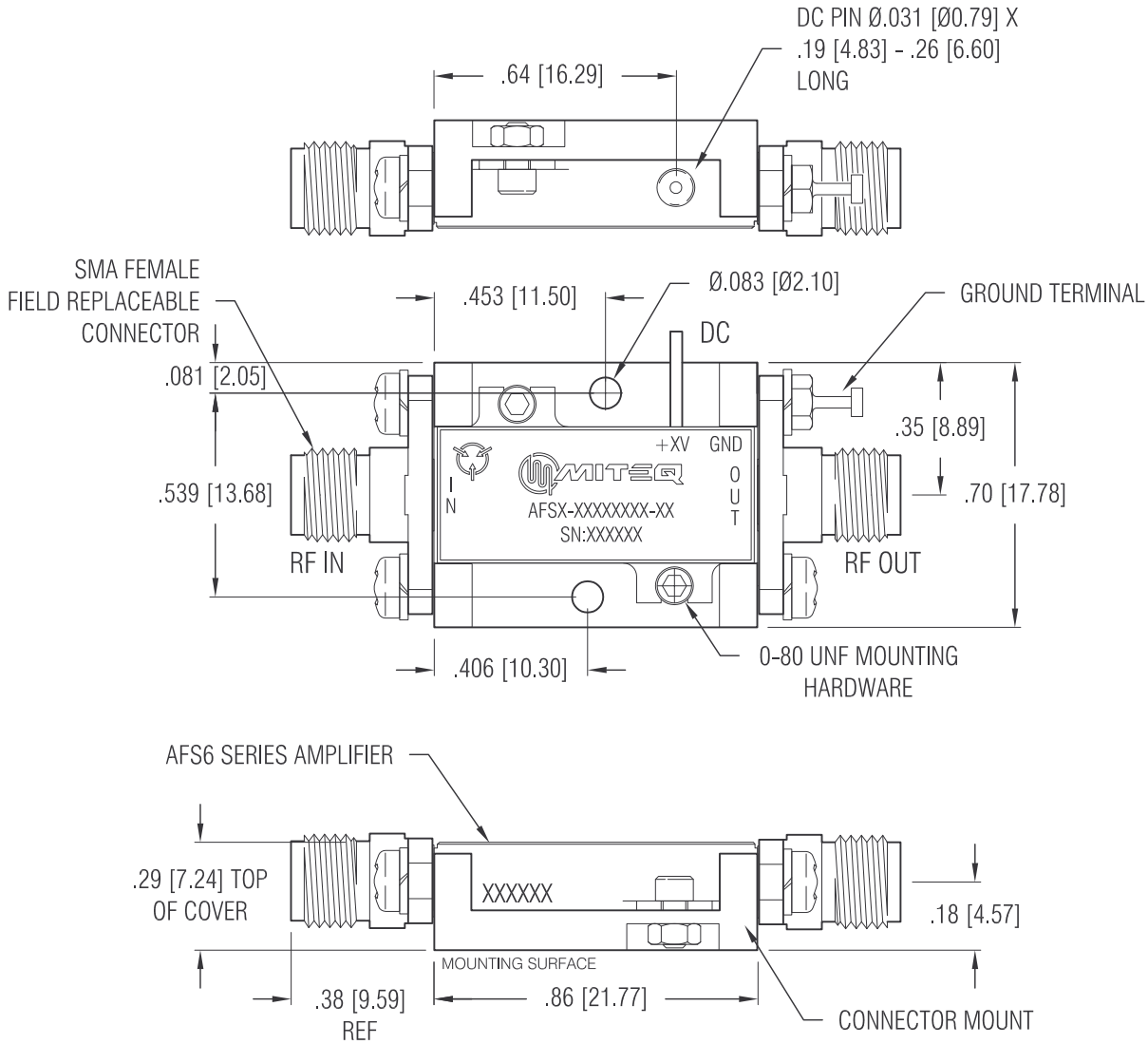




DASH NO.	APPLICATION		REVISIONS			
	NEXT ASSY	USED ON	LTR	DESCRIPTION	DATE	APPROVED
	191177	Fixture	B	Incorporate ECN 20583	08/03/11	<i>R.Scherer</i>



NOTES

1. DIMENSIONS IN BRACKET ARE METRIC EQUIVALENTS.
2. MARKING MAY VARY AS PER CUSTOMER SPECIFICATIONS.

UNLESS OTHERWISE SPECIFIED DIMENSIONS ARE IN INCHES TOLERANCES ON	NAME	DATE	 100 Davids Drive, Hauppauge, New York 11788			
	DWN <i>R.Scherer</i>	08/21/09				
DECIMAL .X ±0.1 [2.5] DECIMAL .XX ±0.01 [0.25] DECIMAL .XXX ±0.005 [0.13] ANGLES X° ±30'	DFT DGN <i>R.Scherer</i>	08/03/11	AFS6 SERIES AMPLIFIER WITH CUSTOM FIXTURE OUTLINE			
	PROJ ENGR <i>J. Buonaiuto</i>	08/03/11				
ESD SENSITIVE COMPONENT 	MFG ENGR		SIZE	CODE IDENT. NO.		REV
	Q.C.		A	33592	191176	B
	CUST		SCALE	PROJECT	SHEET	1 OF 1