

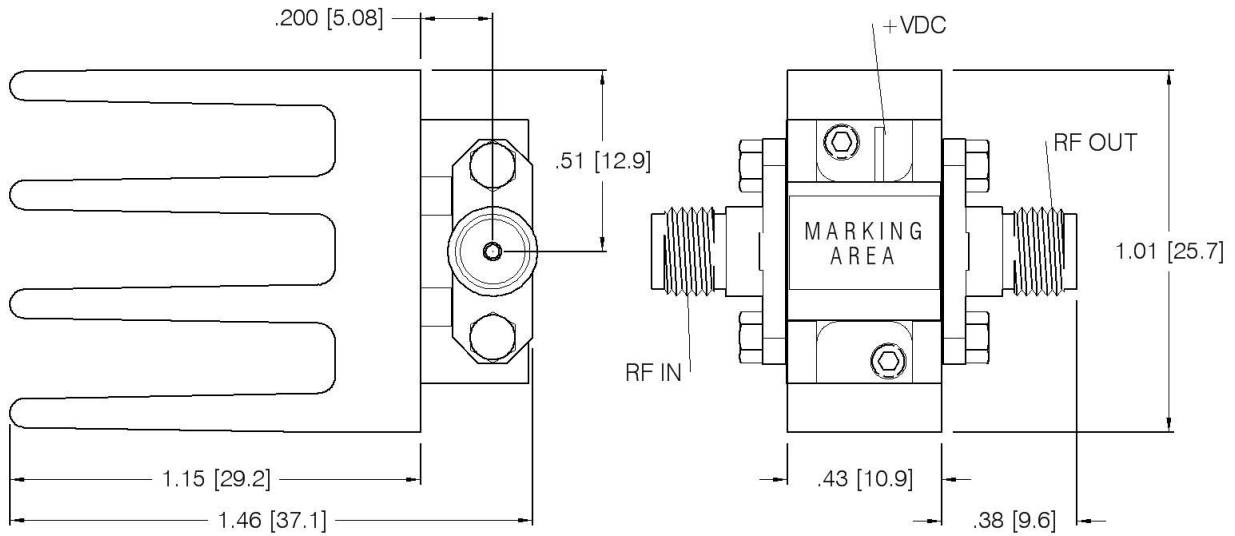
Current Revision

As of 12/22/2010 3:43:55 PM

DWALATA



DASH NO.	APPLICATION		REVISIONS			
	NEXT ASSY	USED ON	LTR	DESCRIPTION	DATE	APPROVED
	HS	128842	B	Incorporate ECN 18498	12/21/10	<i>R.Scherer</i>
		128814				



NOTE

1. DIMENSIONS IN BRACKETS ARE METRIC EQUIVALENT
2. SHOWN WITH STANDARD CONNECTOR CONFIGURATION

UNLESS OTHERWISE SPECIFIED DIMENSIONS ARE IN INCHES TOLERANCES ON	NAME	DATE	 100 Davids Drive, Hauppauge, New York 11788			
	DWN <i>R.Scherer</i>	06/29/09				
DECIMAL .X ±0.1 DECIMAL .XX ±0.01 DECIMAL .XXX ±0.005 ANGLES X° ±30'	DFT DES <i>R.Scherer</i>	12/21/10	JSD MODULE WITH HEAT SINK OUTLINE			
	PROJ ENGR <i>N. Shaikh</i>	12/21/10				
	MFG ENGR		SIZE	CODE IDENT. NO.		REV
	Q.C.		A	33592	190226	B
	CUST		SCALE	2:1	PROJECT	SHEET