

5

4

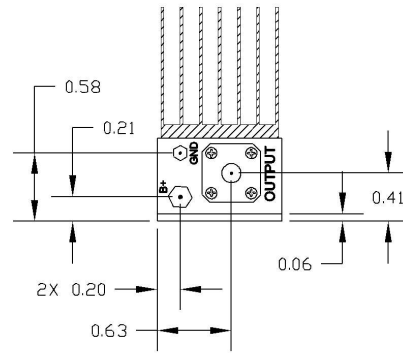
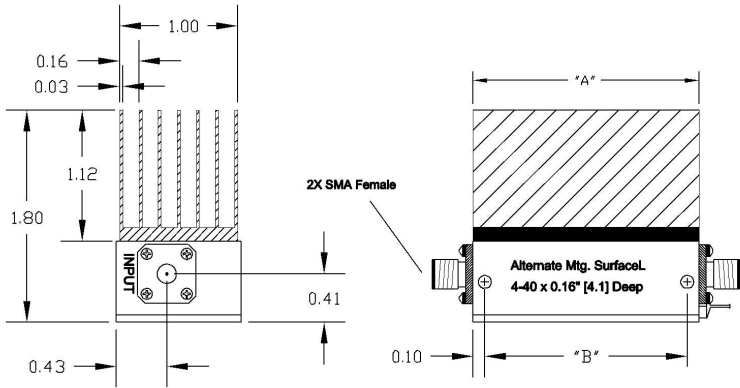
3

2

1

For Proper Convection Cooling Heatsink Fins Must Be Vertical

REVISIONS				
ZONE	LTR	DESCRIPTION	DATE	APPROVED
	A	INITIAL RELEASE PER DWO# 91016749	05/27/09	L. Kammer



NOTES:
 1. OPTIONALLY AVAILABLE WITH BNC-FEMALE, N-FEMALE AND N-MALE CONNECTORS.

Dimensions Are Inches [mm]

Outline	Dim "A"	Dim "B"	Weight Oz [gm]
1SH	1.11 [28.2]	0.91 [23.1]	3.4 [96.4]
2SH	1.92 [48.8]	1.72 [43.7]	4.1 [116.2]
3SH	2.74 [69.6]	2.54 [64.5]	4.8 [136.1]
4SH	3.55 [90.2]	3.35 [85.1]	5.6 [158.8]

(OUTLINE #1 thru #4SH)

		UNLESS OTHERWISE SPECIFIED DIMENSIONS ARE IN INCHES TOLERANCES ON			 100 Davids Drive, Hauppauge, New York 11788	
		DECIMALS .XX±.01	ANGLES .XXX±.005	±0°30'		
		MATERIAL			APPROVED BY	
		FINISH			PROJ ENGR B. Pope	05/28/09
NEXT ASSY		USED ON			ENG SECT	
APPLICATION		HEAT TREAT			Q.A.	
		SIZE B	CODE 33592	IDENT. NO. 189710	REV. A	
		SCALE	REF	20P010	SHEET 1	OF 1

5

4

3

2

1