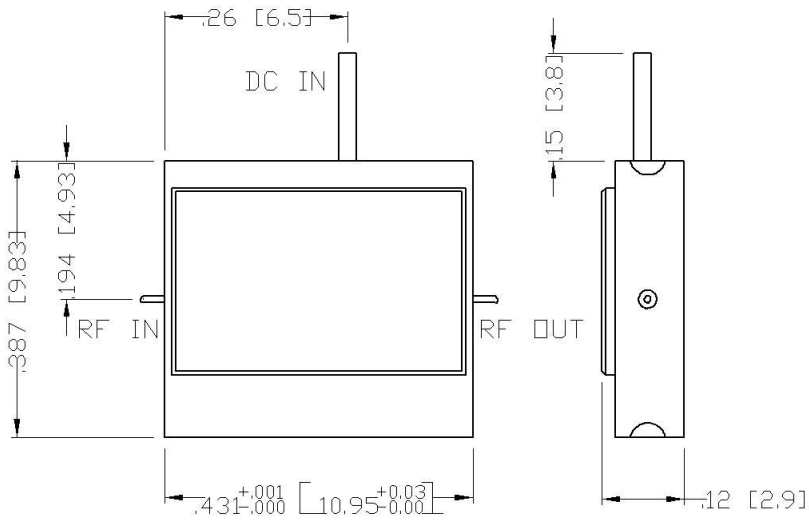
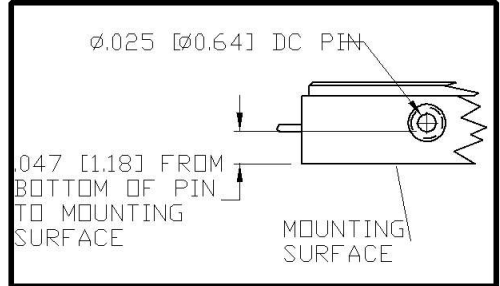
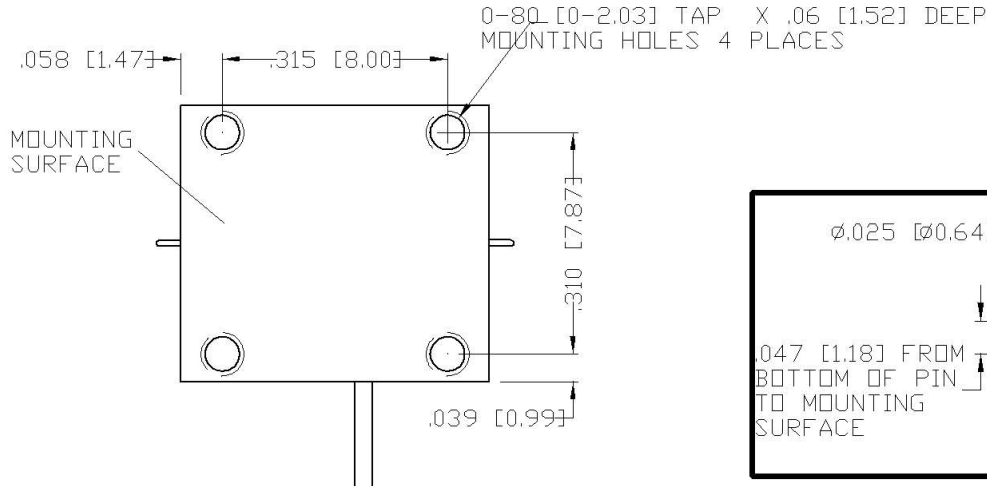
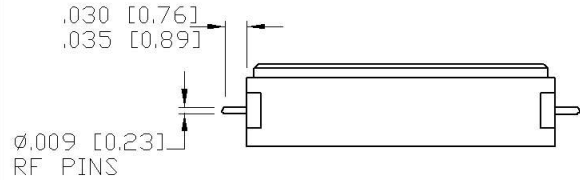


DASH NO.	APPLICATION		REVISIONS			
	NEXT ASSY	USED ON	LTR	DESCRIPTION	DATE	APPROVED
			A	Initial Release	02/12/15	RScherer



NOTES:
 1. DIMENSIONS SHOWN IN BRACKETS ARE METRIC EQUIVALENT
 2. HOUSINGS AND PINS ARE MADE OF KOVAR AND FINISHED IN GOLD ON NICKEL PLATE
 3. UNITS ARE SHIPPED MOUNTED TO CONNECTORIZED TEST FIXTURE



UNLESS OTHERWISE SPECIFIED DIMENSIONS ARE IN INCHES TOLERANCES ON DECIMAL .X ±0.1 [2.5] DECIMAL .XX ±0.01 [0.25] DECIMAL .XXX ±0.005 [0.13] ANGLES X° ±30'	NAME	DATE	 100 Davids Drive, Hauppauge, New York 11788		
	DWN RScherer	04/22/09			
	CHK BY	DATE	JSA SERIES DROP-IN HERMETIC AMPLIFIER OUTLINE		
	RScherer	02/12/15			
PROJ ENGR	DATE	SIZE	CODE IDENT. NO.	REV	
J. Decker	02/12/15	A	33592 189111	A	
SECT HEAD		SCALE	PROJECT	SHEET 1	1 OF
Q.C.					
CUST					