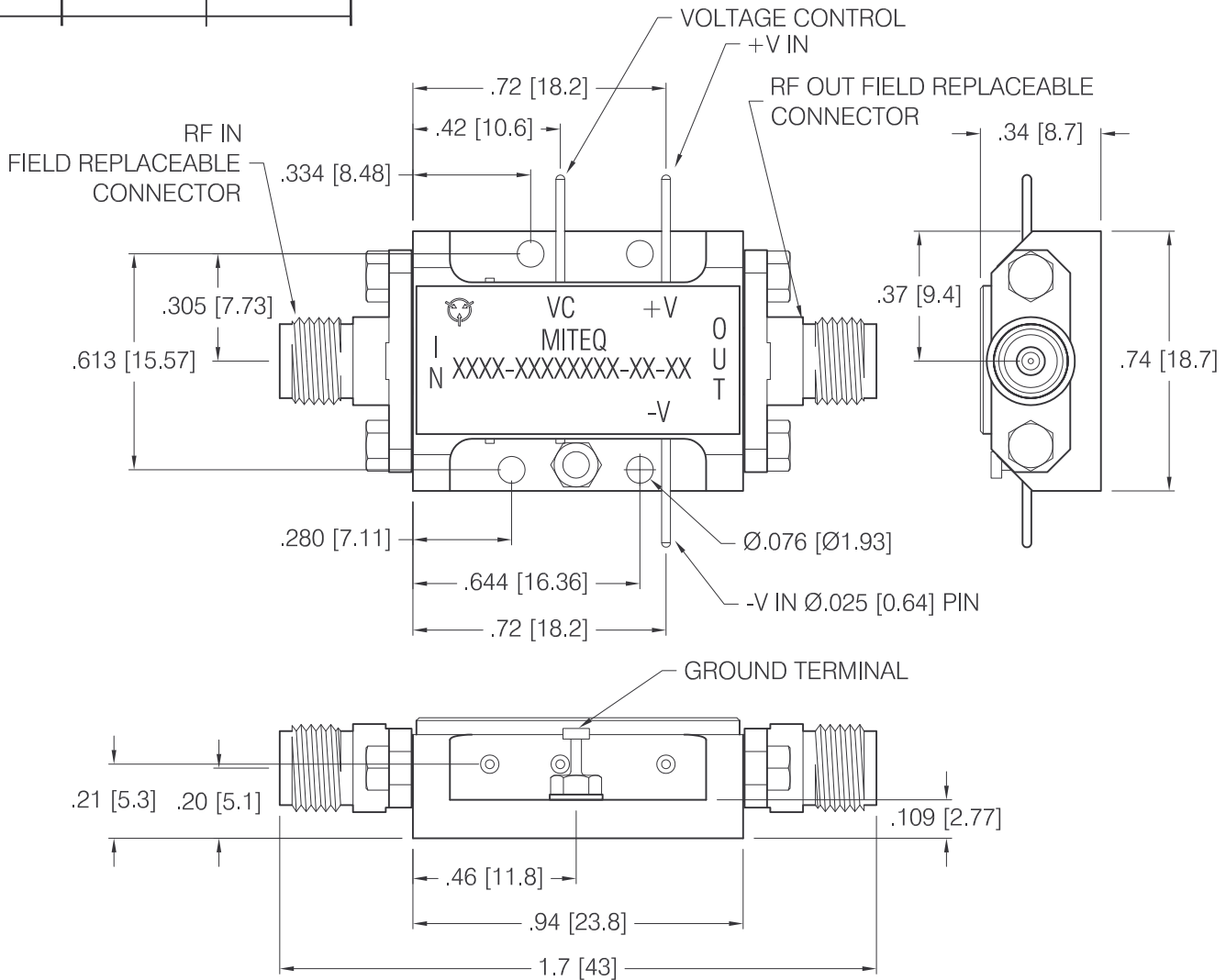



DASH NO.	APPLICATION		REVISIONS			
	NEXT ASSY	USED ON	LTR	DESCRIPTION	DATE	APPROVED
			1	Initial Release	03/17/09	<i>J. Shekarabi</i>



MATERIAL: KOVAR WITH STAINLESS STEEL  
CONNECTORS

DIMENSIONS IN INCHES [mm]

CONNECTOR SERIES AND GENDER OPTIONS  
AVAILABLE

UNLESS OTHERWISE SPECIFIED DIMENSIONS ARE IN INCHES TOLERANCES ON	NAME	DATE	 100 Davids Drive, Hauppauge, New York 11788 <b>SAFS-GC AMPLIFIER OUTLINE</b>			
	DWN BY <i>Ray S</i>	03/17/09				
	CHK BY <i>J. Shekarabi</i>	03/17/09				
DECIMAL .X ±0.1 DECIMAL .XX ±0.01 DECIMAL .XXX ±0.005 ANGLES X° ±30'	PROJ ENGR <i>J. Decker</i>	03/17/09	SIZE	CODE IDENT. NO.		REV
	SECT HEAD		A	33592	188427	1
	Q.C.		SCALE	PROJECT	SHEET	1 OF 1
	CUST					