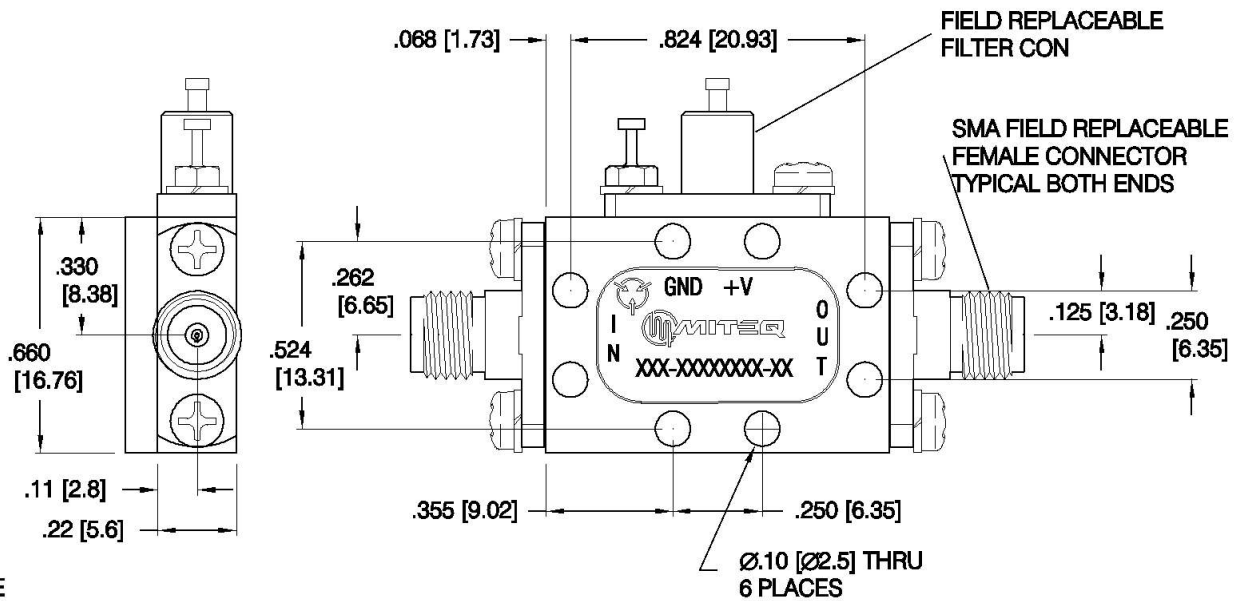
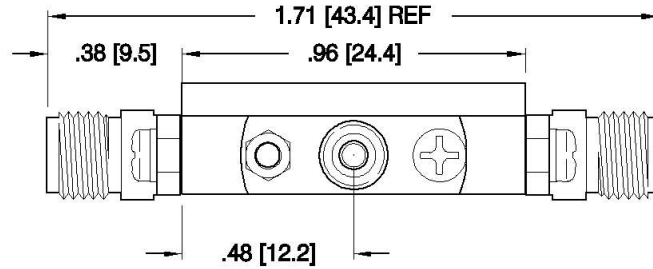
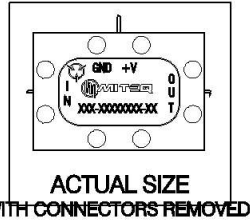


DASH NO.	APPLICATION		REVISIONS			
	NEXT ASSY	USED ON	LTR	DESCRIPTION	DATE	APPROVED
	HSG	152358	1	Initial Release	03/10/09	<i>Ray P</i>

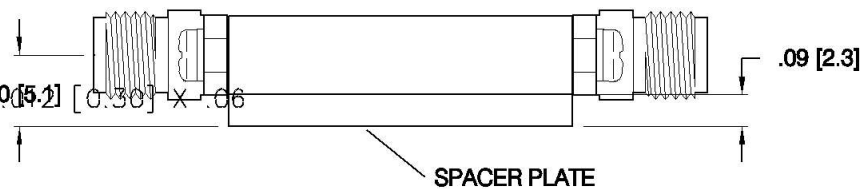


NOTE

1. DIMENSIONS IN BRACKETS ARE METRIC EQUIVALENTS

2. DC PIN IS Ø.015 [0.38] X .08 [2.0], RF PINS ARE Ø.015 [0.38] X 1.06 [1.4] LONG

3. HOUSING MADE OF KOVAR, FINISH GOLD ON NICKEL, SPACER PLATE MADE OF ALUMINUM ALLOY



SCALE: 2/1

UNLESS OTHERWISE SPECIFIED DIMENSIONS ARE IN INCHES TOLERANCES ON DECIMAL .X ±0.1 DECIMAL .XX ±0.01 DECIMAL .XXX ±0.005 ANGLES X° ±30°	NAME	DATE	 100 Davids Drive, Hauppauge, New York 11788				
	DWN BY <i>Ray P</i>	03/10/09					
	CHK BY <i>Ray P</i>	03/10/09	LCN AMPLIFIER OUTLINE				
	PROJ ENGR <i>N. Prabh</i>	03/11/09					
SECT HEAD			SIZE	CODE IDENT. NO.	188349	REV	1
Q.C.			A	33592			
CUST			SCALE	PROJECT		SHEET	1 of 1