

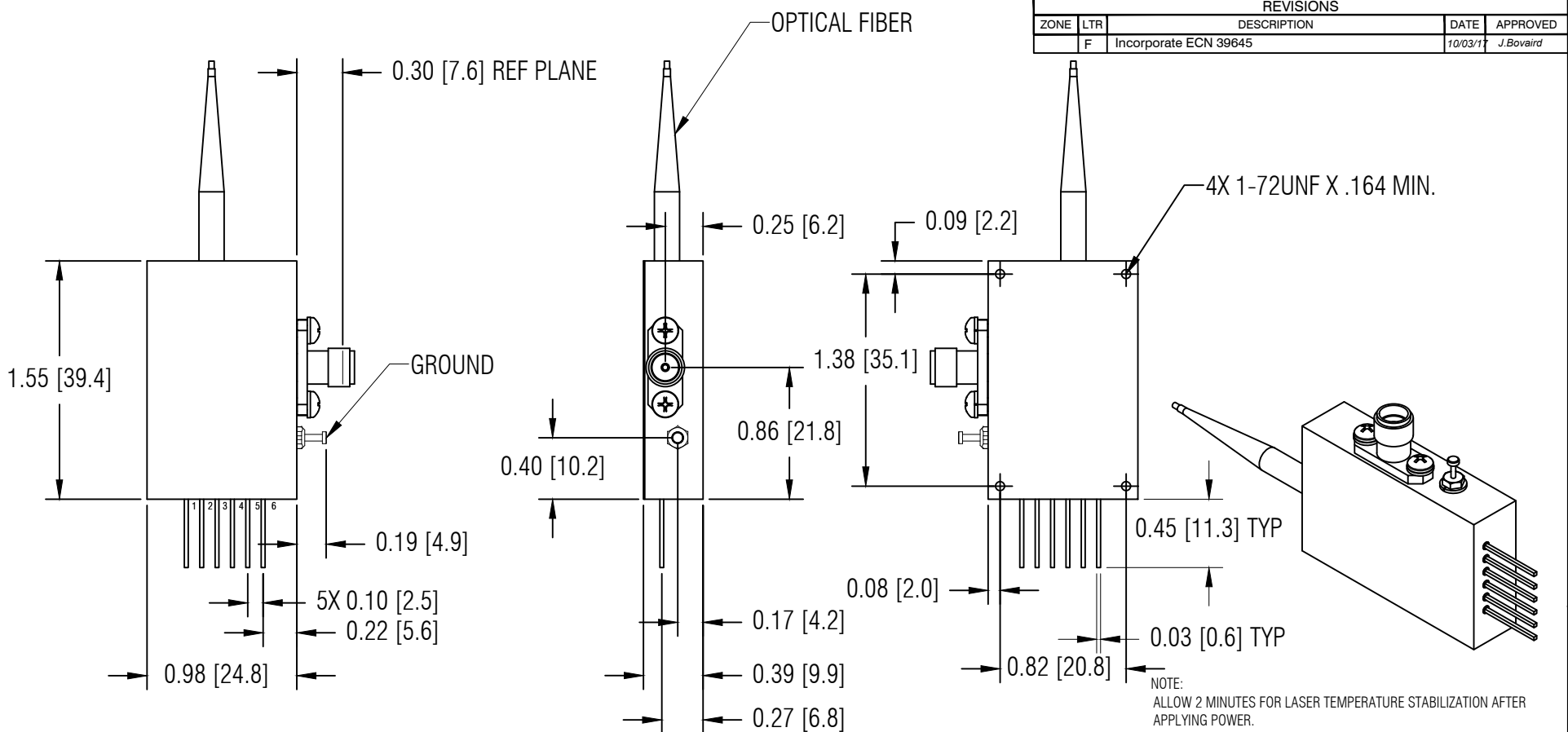
4

3

2

1

REVISIONS				
ZONE	LTR	DESCRIPTION	DATE	APPROVED
	F	Incorporate ECN 39645	10/03/11	J.Bovaird



NOTE:
MARKING WILL VARY DEPENDING ON MODEL NUMBER.

RF CONNECTORS: SMA
OPTICAL CONNECTORS: FC/APC STANDARD (OTHER STANDARDS AVAILABLE)
OPTICAL FIBER SINGLE MODE

APPLY ALL VOLTAGES SIMULTANEOUSLY, OR IN THE FOLLOWING ORDER

- * +5V
- * -12V
- * +12V

TRANSMITTER OPERATIONAL STATUS			
PIN	DESCRIPTION	NORMAL VOLTAGE RANGE	NOTES
2	LASER TEMP MONITOR	-0.5 to +0.5	<-0.5 INDICATES HIGH LASER TEMP >+0.5 INDICATES LOW LASER TEMP
3	OPTICAL POWER MONITOR	-2.5 to -1.5	0 VOLTS INDICATES NO LASER LIGHT

POWER SPECIFICATIONS			
PIN	VOLTAGE (V)	CURRENT (AMPS)(A)	NOTES
1	+5	0.325	@25°C BASE PLATE TEMP
		1.2	FOR MAXIMUM COOLING
4	GROUND		
5	+12	0.42 (MAX)	18 GHz MODEL
		0.35 (MAX)	6 GHz MODEL
6	-12V	0.01(TYP)	NORMAL OPERATION
		0.30 MAX	HEATING MODE

PRINT NOT ON AUTOMATIC DISTRIBUTION VERIFY REVISION PRIOR TO USE

Narda-MITEQ PROPRIETARY THIS DOCUMENT CONTAINS INFORMATION WHICH IS PROPRIETARY TO Narda-MITEQ. THE CONTENTS SHALL NOT BE DISCLOSED, COPIED, DISTRIBUTED, OR USED UNLESS AUTHORIZED BY AN OFFICER OF Narda-MITEQ. THESE ITEM(S) / TECHNOLOGY CONTAIN INFORMATION SUBJECT TO U.S. GOVERNMENT EXPORT CONTROL IN ACCORDANCE WITH THE EXPORT ADMINISTRATION REGULATIONS (EAR), 15 CFR PARTS 730-744. EXPORT OF THIS DATA TO ANY FOREIGN COUNTRY OR DISCLOSURE OF THIS DATA TO ANY NON-US PERSON MAY BE A VIOLATION OF FEDERAL LAW.	UNLESS OTHERWISE SPECIFIED DIMENSIONS ARE IN INCHES TOLERANCES ON DECIMALS .XX±.01 .XXX±.005 ANGLES ±0°30'	DRAWN NAME T. McGann DATE 07/10/08 DRAFT DESIGNER J.Bovaird 10/24/17 APPROVED BY PROJ ENGR SEAN.TURNER 10/25/17 MFG ENGR G.A.	435 MORELAND RD HAUPPAUGE, NY 11788 OUTLINE HRT FIBER OPTIC TRANSMITTER SIZE C CODE IDENT. NO. 99899 REV. F SCALE REF SHEET 1 OF 1	
	PROJECTION	MATERIAL FINISH		AUTOCAD FILE FORMAT
	183573			
	SHEET 1 OF 1			

4

3

2

1

183573

AUTOCAD 12:2021