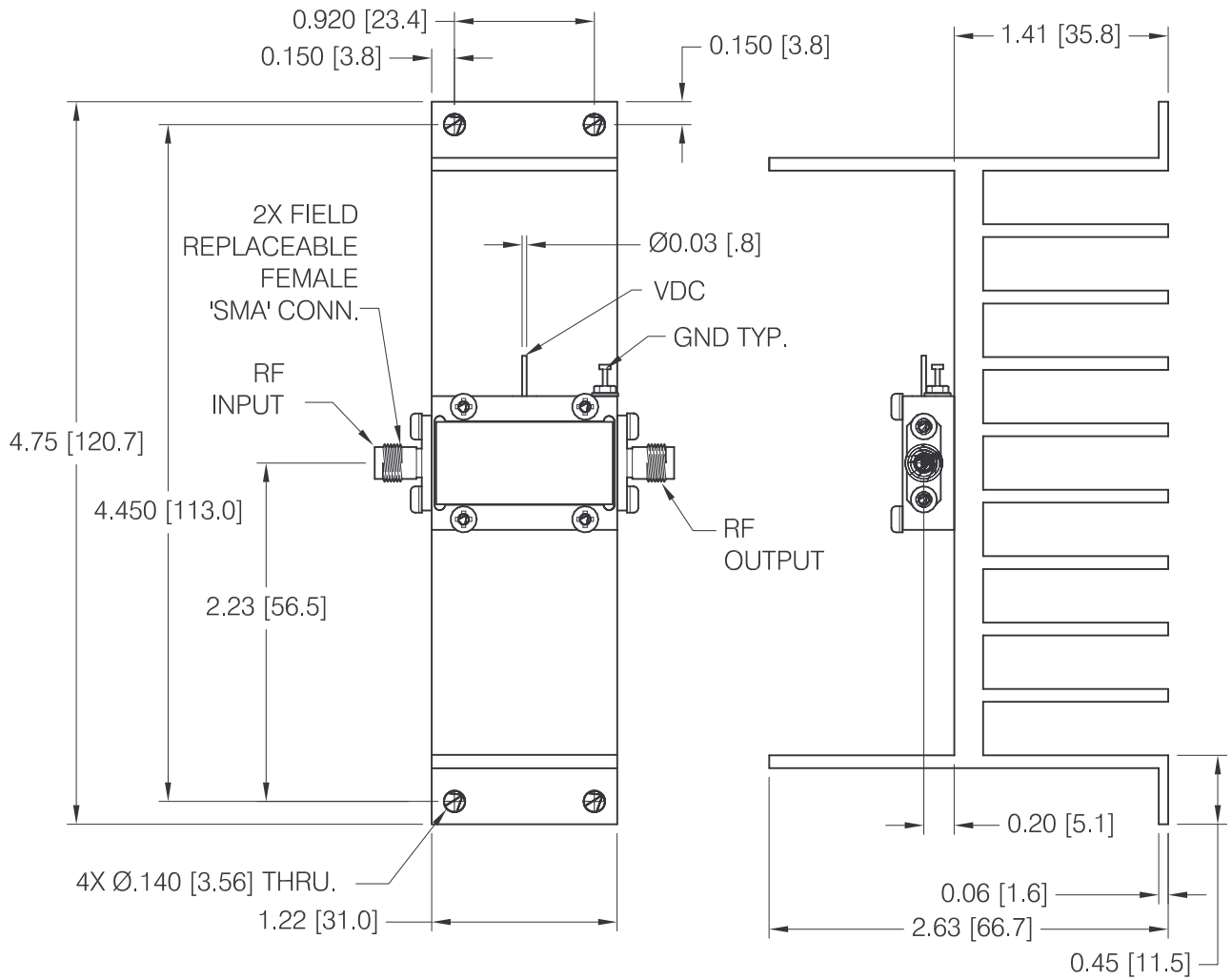



DASH NO.	APPLICATION		REVISIONS			
	NEXT ASSY	USED ON	LTR	DESCRIPTION	DATE	APPROVED
			A	INITIAL RELEASE	09/01/09	M&A



NOTES:

1. METRIC EQUIVALENTS ARE IN PARENTHESES.
2. OPTIONAL MALE OR FEMALE CONNECTOR CAN BE SPECIFIED PER CUSTOMER REQUIREMENTS.

UNLESS OTHERWISE SPECIFIED DIMENSIONS ARE IN INCHES TOLERANCES ON	NAME	DATE	 100 Davids Drive, Hauppauge, New York 11788			
	DWN BY <i>E. Pierno</i>	06/03/08				
	DECIMAL .XX ±.01 DECIMAL .XXX ±.005 ANGLES X° ±30'	CHK BY <i>M&A</i>	09/01/09	OUTLINE LOW FREQUENCY, MED. POWER AMPL. W/ HEATSINK		
	PROJ ENGR <i>M&A</i>	09/01/09				
	SECT HEAD					
	Q.C.		SIZE	CODE IDENT. NO.		REV
	CUST		A	33592	183016	A
			SCALE	PROJECT 163705	SHEET 1 OF 1	