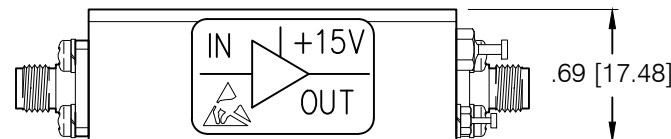
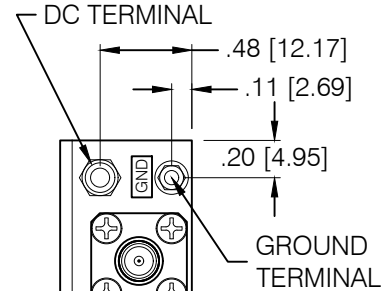
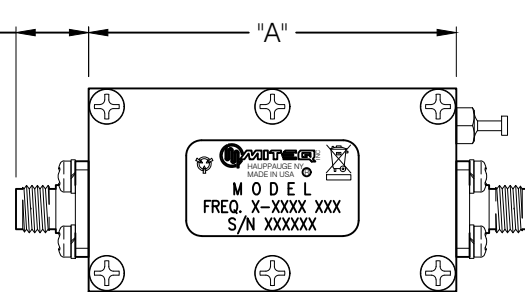
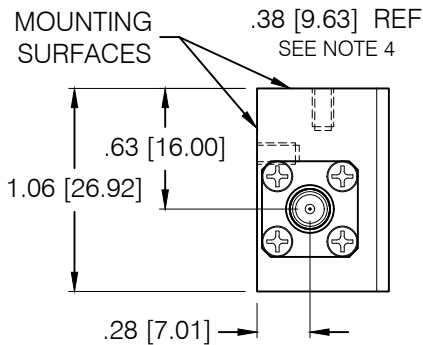
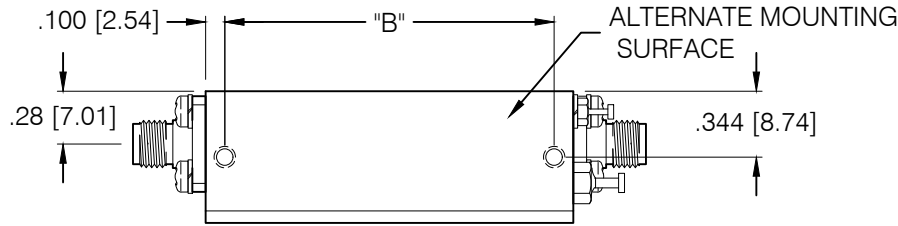
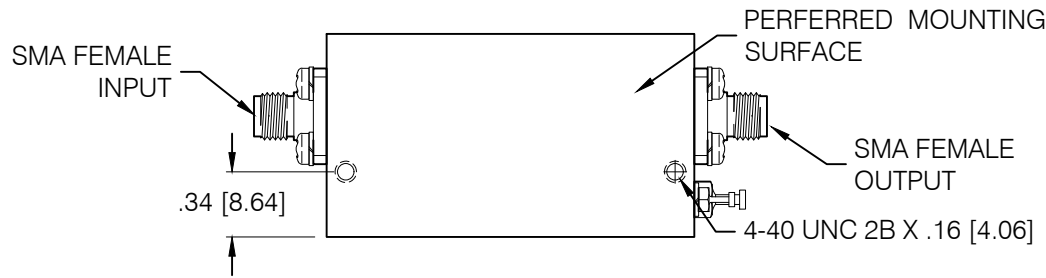


REVISIONS				
ZONE	LTR	DESCRIPTION	DATE	APPROVED
	D	Incorporate ECN 37923	01/25/17	rs



NOTES:

1. OPTIONALLY AVAILABLE WITH BNC-FEMALE, N-FEMALE AND N-MALE CONNECTORS
2. OPTIONAL HEATSINK AVAILABLE. SEE DRAWING 183042
3. DIMENSIONS IN BRACKETS ARE METRIC EQUIVALENT
4. DIMENSION GIVEN FOR SMA FEMALE, OTHER GENDER OR CONNECTOR TYPE DIMENSION WILL VARY

DASH NUMBER SCHEDULE

OUTLINE	DIM "A"	DIM "B"	WEIGHT
-1	1.11[28.24]	.91[23.16]	1.2oz, 34gm
-2	1.93[48.90]	1.73[43.82]	1.8oz, 50gm
-3	2.75[69.72]	2.55[64.64]	2.3oz, 66gm
-4	3.55[90.17]	3.35[85.09]	3.0oz, 84gm

PRINT NOT ON AUTOMATIC DISTRIBUTION VERIFY REVISION PRIOR TO USE

<p>Narda-MITEQ PROPRIETARY</p> <p>THIS DOCUMENT CONTAINS INFORMATION WHICH IS PROPRIETARY TO Narda-MITEQ. THE CONTENTS SHALL NOT BE DISCLOSED, COPIED, DISTRIBUTED, OR USED UNLESS AUTHORIZED BY AN OFFICER OF Narda-MITEQ, UNLESS</p>			<p>UNLESS OTHERWISE SPECIFIED DIMENSIONS ARE IN INCHES TOLERANCES ON</p> <p>DECIMALS .XX ± .01 .XXX ± .005</p> <p>ANGLES ± 0°30'</p>	<p>NAME <i>L. Hammer</i> DATE 11/21/07</p> <p>DRAFT DESIGN <i>rs</i> 01/25/17</p>	<p><b>narda MITEQ</b></p> <p>435 MORELAND RD HAUPPAUGE, NY 11788</p> <p><b>SLIMLINE AMPLIFIER OUTLINE</b></p>
	<p>THESE ITEM(S)/TECHNOLOGY CONTAIN INFORMATION SUBJECT TO U.S. GOVERNMENT EXPORT CONTROL IN ACCORDANCE WITH THE EXPORT ADMINISTRATION REGULATIONS (EAR), 15 CFR PARTS 730-744. EXPORT OF THIS DATA TO ANY FOREIGN COUNTRY OR DISCLOSURE OF THIS DATA TO ANY NON-US PERSON MAY BE A VIOLATION OF FEDERAL LAW.</p>	<p>PROJECTION </p> <p>MATERIAL</p> <p>FINISH</p>	<p>APPROVED BY</p> <p>PROJ ENGR <i>B. Bengier</i> 01/25/17</p> <p>MFG ENGR</p> <p>O.A.</p>	<p>SIZE C</p> <p>CODE IDENT. NO. 99899</p> <p>SCALE</p>	
<p>ESD SENSITIVE COMPONENT</p>	<p>NEXT ASSY</p> <p>USED ON</p> <p>APPLICATION</p>	<p>AUTOCAD FILE FORMAT</p>	<p>SHEET 1 OF 1</p>		

179685

B

A

AUTOCAD 15/2011