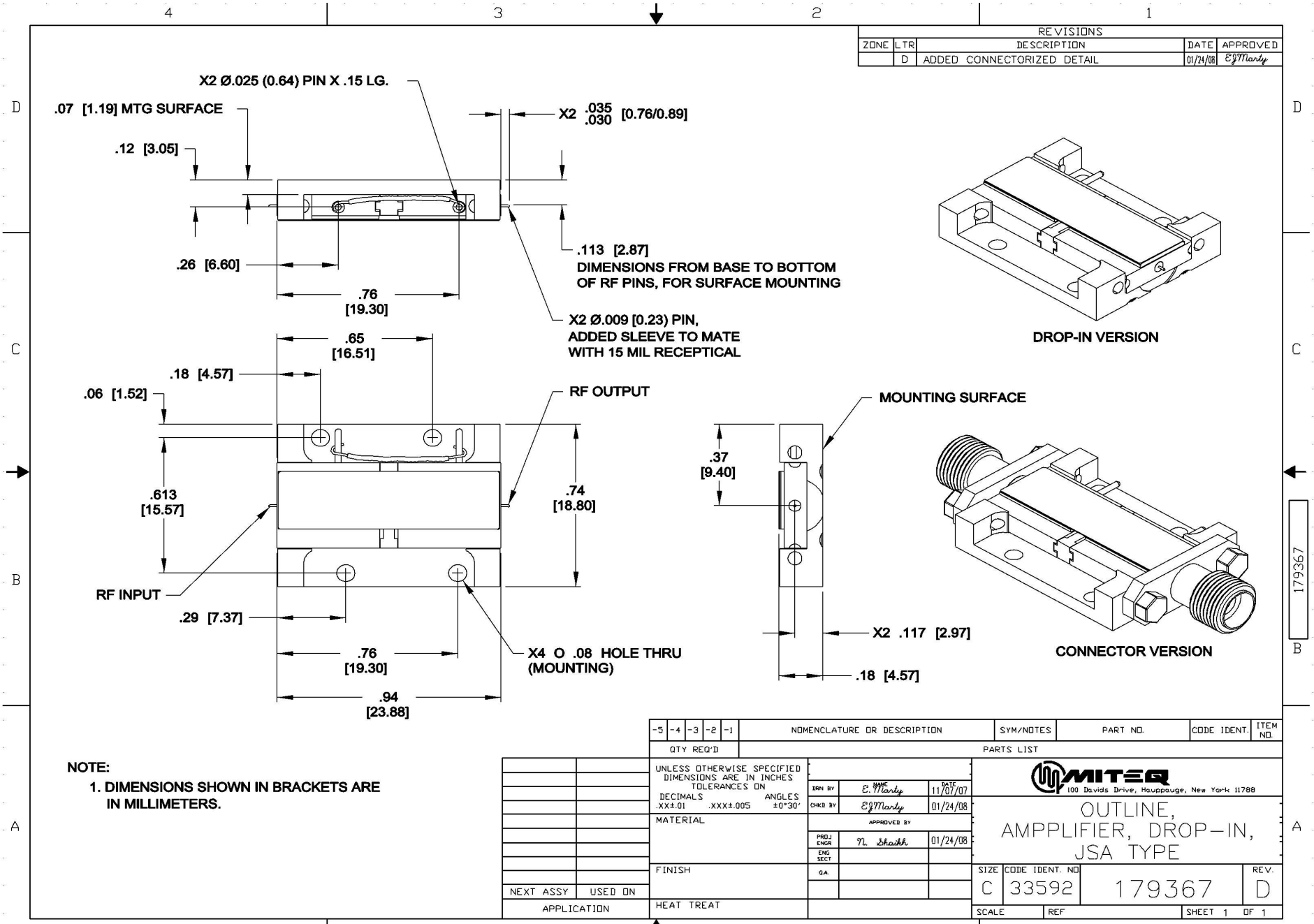


REVISIONS				
ZONE	LTR	DESCRIPTION	DATE	APPROVED
	D	ADDED CONNECTORIZED DETAIL	01/24/08	EgMarty



NOTE:
1. DIMENSIONS SHOWN IN BRACKETS ARE IN MILLIMETERS.

-5	-4	-3	-2	-1	NOMENCLATURE OR DESCRIPTION	SYM/NOTES	PART NO.	CODE IDENT.	ITEM NO.			
					PARTS LIST							
UNLESS OTHERWISE SPECIFIED DIMENSIONS ARE IN INCHES TOLERANCES ON					TRN BY	E. Marty	DATE	11/07/07	 100 Davids Drive, Hauppauge, New York 11798 OUTLINE, AMPLIFIER, DROP-IN, JSA TYPE			
DECIMALS .XX±.01 .XXX±.005 ANGLES ±0°30'					CHKD BY	EgMarty	01/24/08					
MATERIAL					APPROVED BY							
FINISH					PRJ ENGR	92. Shaikh	01/24/08					
NEXT ASSY USED ON					ENG SECT				SIZE	CODE IDENT. NO	REV.	
APPLICATION					HEAT TREAT				C	33592	179367	D
					SCALE	REF			SHEET 1 OF 1			