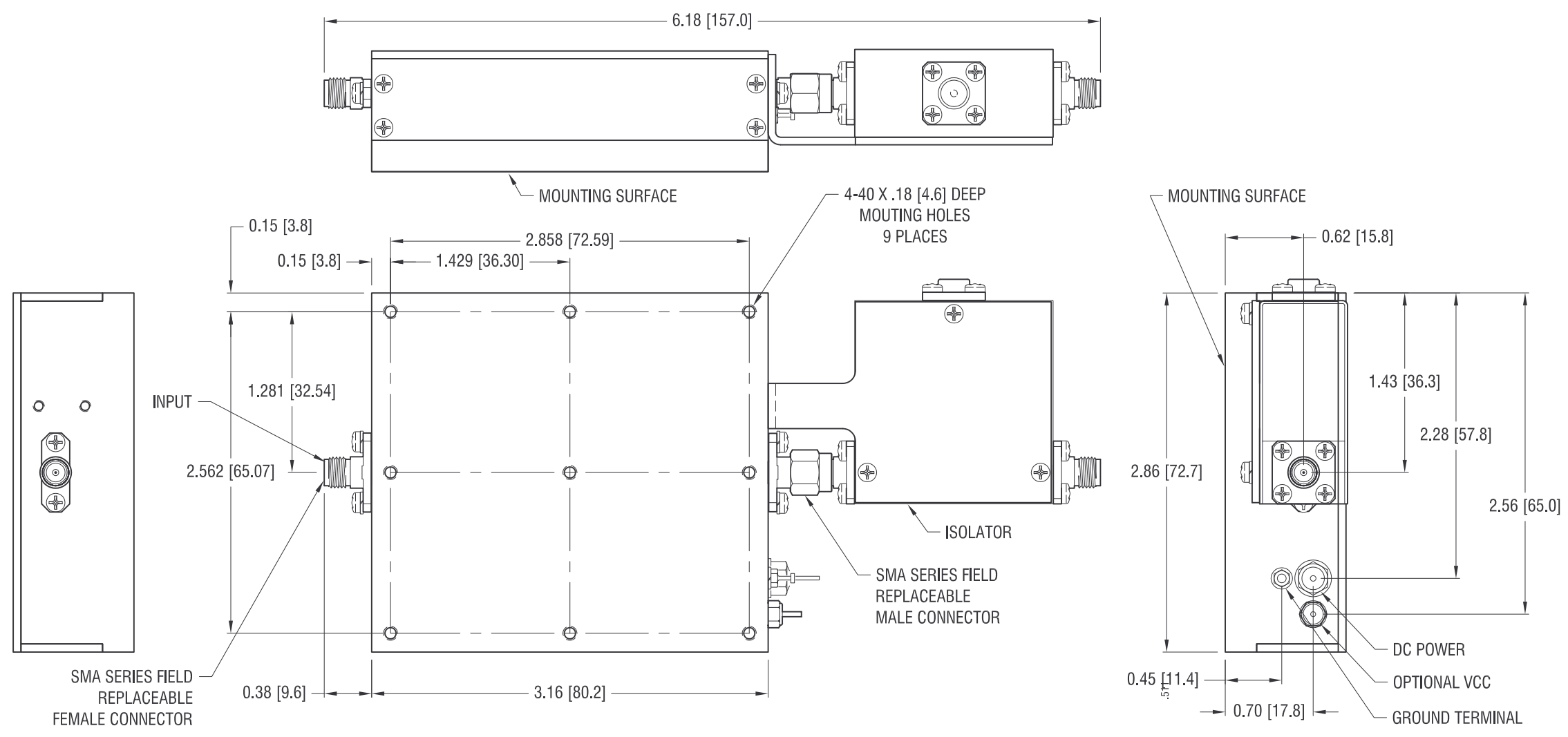



4 3 2 1

| REVISIONS |     |                        |          |                     |
|-----------|-----|------------------------|----------|---------------------|
| ZONE      | LTR | DESCRIPTION            | DATE     | APPROVED            |
|           | D   | Incorporated ECN 11230 | 02/09/09 | <i>K.J. Bovaird</i> |



NOTE  
1. DIMENSIONS IN BRACKETS ARE METRIC EQUIVALENTS

|   |         |  |                 |  |        |
|---|---------|--|-----------------|--|--------|
| UNLESS OTHERWISE SPECIFIED<br>DIMENSIONS ARE IN INCHES<br>TOLERANCES ON |         | DRN BY <i>Ray P</i> DATE 07/19/07                          |                 | <br>100 Davids Drive, Hauppauge, New York 11788 |        |
| DECIMALS .XX±.01 ANGLES .XXX±.005 ±0°30'                                |         | CHKD BY <i>K.J. Bovaird</i> 02/09/09                       |                 |  |        |
| MATERIAL  |         | APPROVED BY  |                 | <b>OUTLINE<br/>MEDIUM POWER AMPLIFIER<br/>WITH ISOLATOR</b>  |        |
| FINISH  |         | PROJ ENGR <i>Michael Kost</i> 02/09/09<br>ENG SECT<br>Q.A. |                 |  |        |
| 177339  |         | SIZE   | CODE IDENT. NO. | 177361   | REV. D |
| 116206  |         | C  | 33592           |  |        |
| NEXT ASSY   | USED ON | SCALE  | REF             | SHEET 1 OF 1   |        |
| APPLICATION   |         |  |                 |  |        |

177361

4 3 2 1