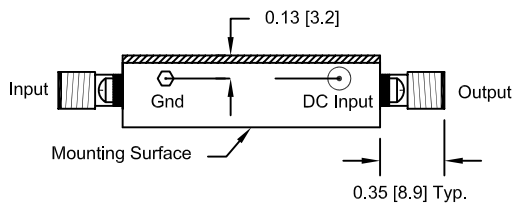
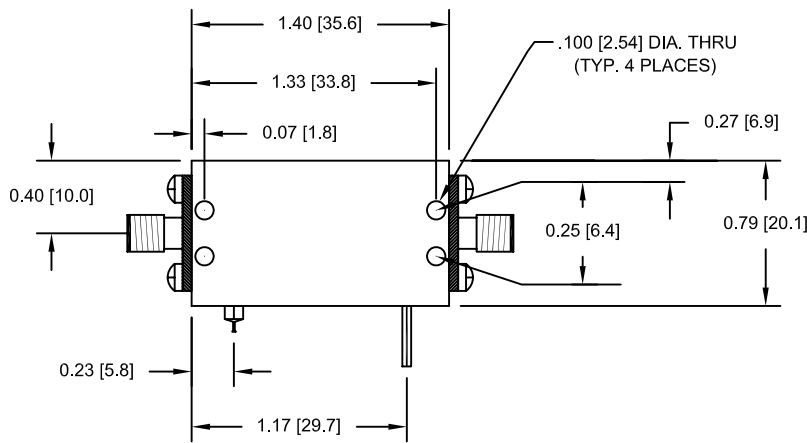
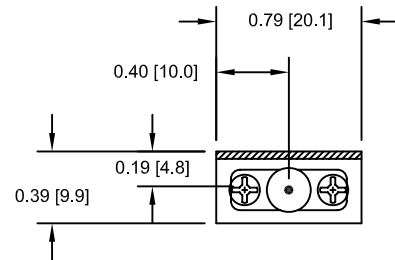


| DASH NO. | APPLICATION | | REVISIONS | | | |
|----------|-------------|---------|-----------|-------------------------------|-----------|-----------|
| | NEXT ASSY | USED ON | LTR | DESCRIPTION | DATE | APPROVED |
| | | | A | INITIAL RELEASE DWO# 91011126 | 6/15/2007 | L. Kammer |


Dimensions Are Inches [mm]
Unit weight is 0.7 oz [19.9 gm]



Field Replaceable Type SMA
Female Connectors



OUTLINE #11

| | | | | | |
|--|-----------------------------|-------------------|---|--------------------------|--------------|
| ALL PAGES ARE OF ORIGINAL ISSUE (A) EXCEPT AS NOTED. | CONTR NO. 206600 | |  100 Davids Drive, Hauppauge, New York 11788 | | |
| | PREP BY <i>L. Kammer</i> | DATE 6/15/2007 | | | |
| | CHKD BY <i>L. Kammer</i> | DATE 6/18/2007 | OUTLINE DRAWING AMPLIFIER | | |
| | PROJ ENGR <i>B. Pope</i> | DATE 6/19/2007 | | | |
| | APPROVAL (PROJ) | | SIZE A | CODE IDENT. NO. 33592 | 176598 |
| | APPROVAL (GOVT) | | SCALE | REV. A | SHEET 1 OF 1 |