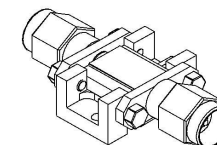
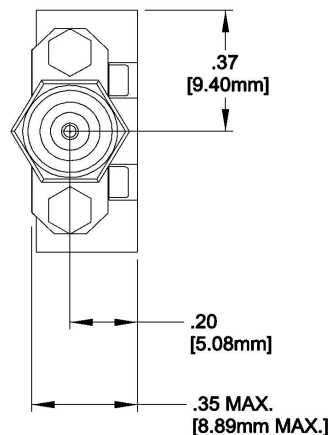
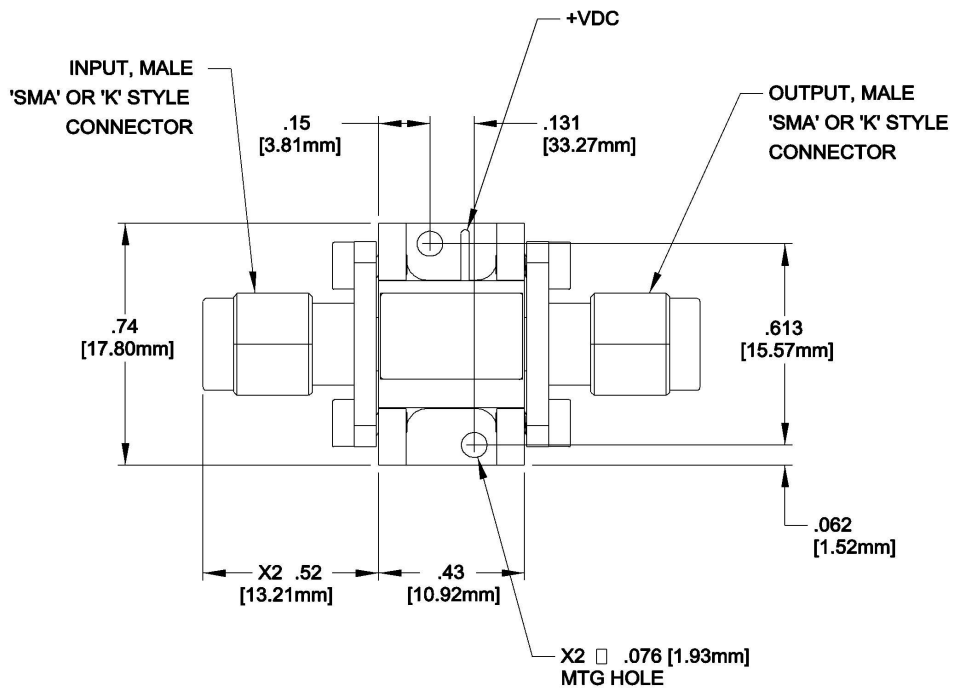


| REVISIONS |     |                 |           |          |
|-----------|-----|-----------------|-----------|----------|
| ZONE      | LTR | DESCRIPTION     | DATE      | APPROVED |
|           | A   | INITIAL RELEASE | 9/25/2006 | EgMarty  |



ISOMETRIC VIEW

NOTE:  
1. SECONDARY DIMENSIONS ARE IN MILLIMETERS.

| -5  | -4 | -3 | -2 | -1 | NOMENCLATURE OR DESCRIPTION  | SYM/NOTES | PART NO.   | CODE IDENT. | ITEM NO.     |  |
|---|----|----|----|----|--|-----------|--|-------------|--------------|--|
|   |    |    |    |    | PARTS LIST   |           |  |             |              |  |
| UNLESS OTHERWISE SPECIFIED DIMENSIONS ARE IN INCHES TOLERANCES ON |    |    |    |    | DRN BY: <i>EgMarty</i> DATE: 9/25/2006<br>CHKD BY: <i>EgMarty</i> 4/3/2007 |           | 100 Davids Drive, Hauppauge, New York 11788<br>OUTLINE, JSD TYPE MODULE, MALE CONNECTOR IN&OUT |             |              |  |
| DECIMALS .XX±.01 ANGLES ±0°30'                                    |    |    |    |    | APPROVED BY:<br>PROJ ENGR: <i>Fl. Shakk</i> 4/3/2007<br>ENG SECT:<br>QA:   |           |  |             |              |  |
| MATERIAL  |    |    |    |    | FINISH   |           |  |             |              |  |
| CONN MT. 128814   |    |    |    |    | HEAT TREAT   |           |  |             |              |  |
| NEXT ASSY USED ON   |    |    |    |    | SIZE CODE IDENT. NO  |           | REV.   |             |              |  |
| APPLICATION   |    |    |    |    | C 33592  |           | 171228   |             | A            |  |
|   |    |    |    |    | SCALE  |           | REF  |             | SHEET 1 OF 1 |  |

171228