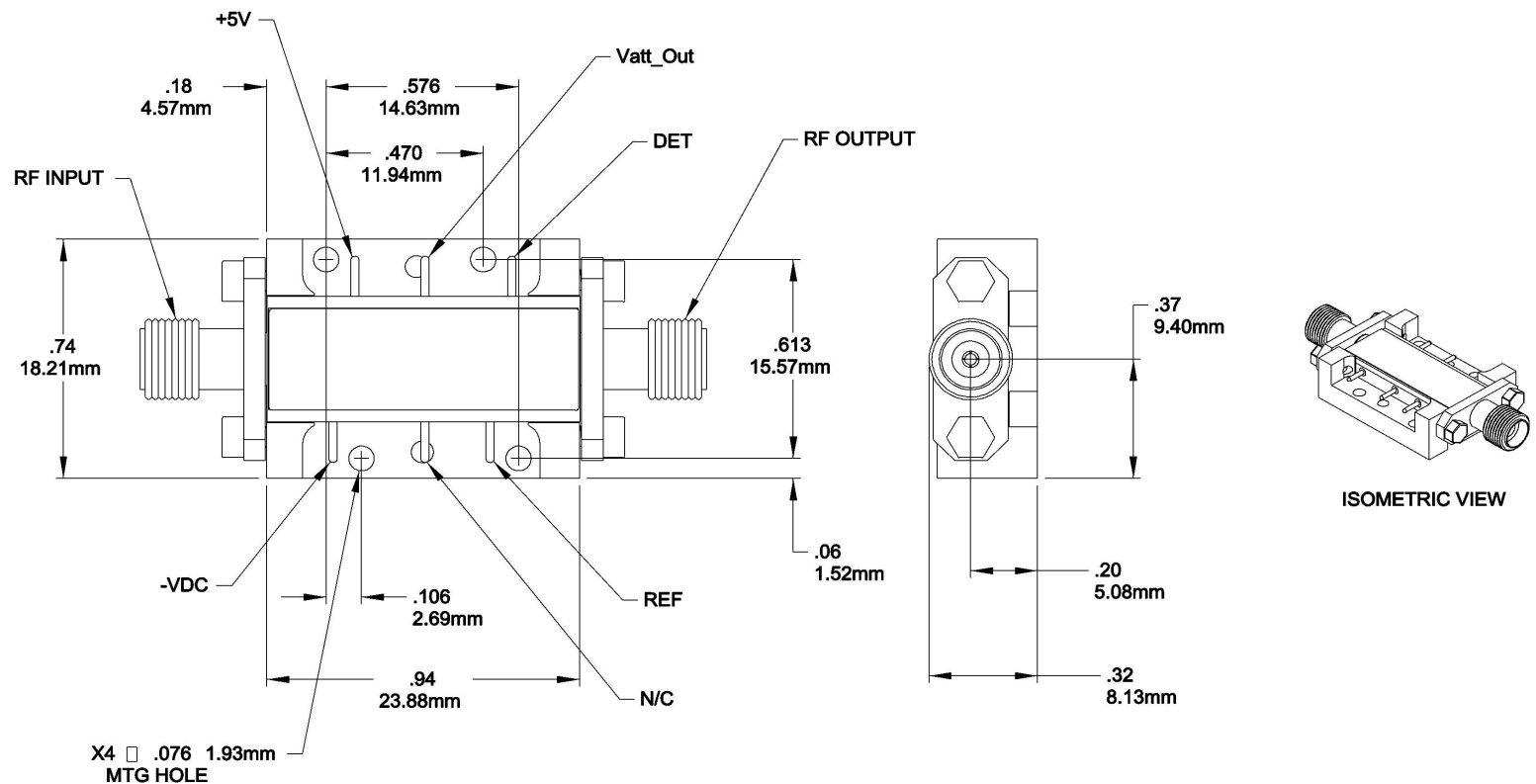


REVISIONS				
ZONE	LTR	DESCRIPTION	DATE	APPROVED
	B	DASH TABLE TO ADD MALE CONN OPTION	04/30/08	PCJ Bovard



NOTE:
1. SECONDARY DIMENSIONS ARE IN MILLIMETERS.

DASH	DESCRIPTION
-1	FEMALE CONNECTORS
-2	MALE OUTPUT CONN
-3	N/A
-4	N/A
-5	N/A
-6	N/A
-7	N/A
-8	N/A
-9	N/A
-10	N/A
-11	N/A
-12	N/A
-13	N/A
-14	N/A
-15	N/A
-16	N/A

QTY REQ'D	NOMENCLATURE OR DESCRIPTION	SYM/NOTES	PARTS LIST
	UNLESS OTHERWISE SPECIFIED DIMENSIONS ARE IN INCHES TOLERANCES ON DECIMALS .XX±.01 .XXX±.005 ANGLES ±0°30'	DRN BY: <i>EJ Marty</i> DATE: 01/15/07	<p>100 Davis Drive, Haverhill, MA 01830</p> <p>OUTLINE, JSD2 MODULE (6) PINS</p>
	MATERIAL	CHKD BY: <i>PCJ Bovard</i> DATE: 04/30/08	
	FINISH	APPROVED BY: <i>M. Egan</i> DATE: 05/01/08	
	HEAT TREAT	PROJ ENGR: <i>M. Egan</i> DATE: 05/01/08	
	APPLICATION	ENG SECT:	SCALE: REF

O/L	167398
NEXT ASSY	USED ON

SIZE	CODE	IDENT. NO.
C	33592	

168602