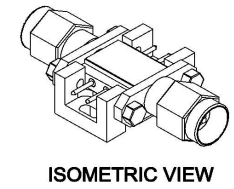
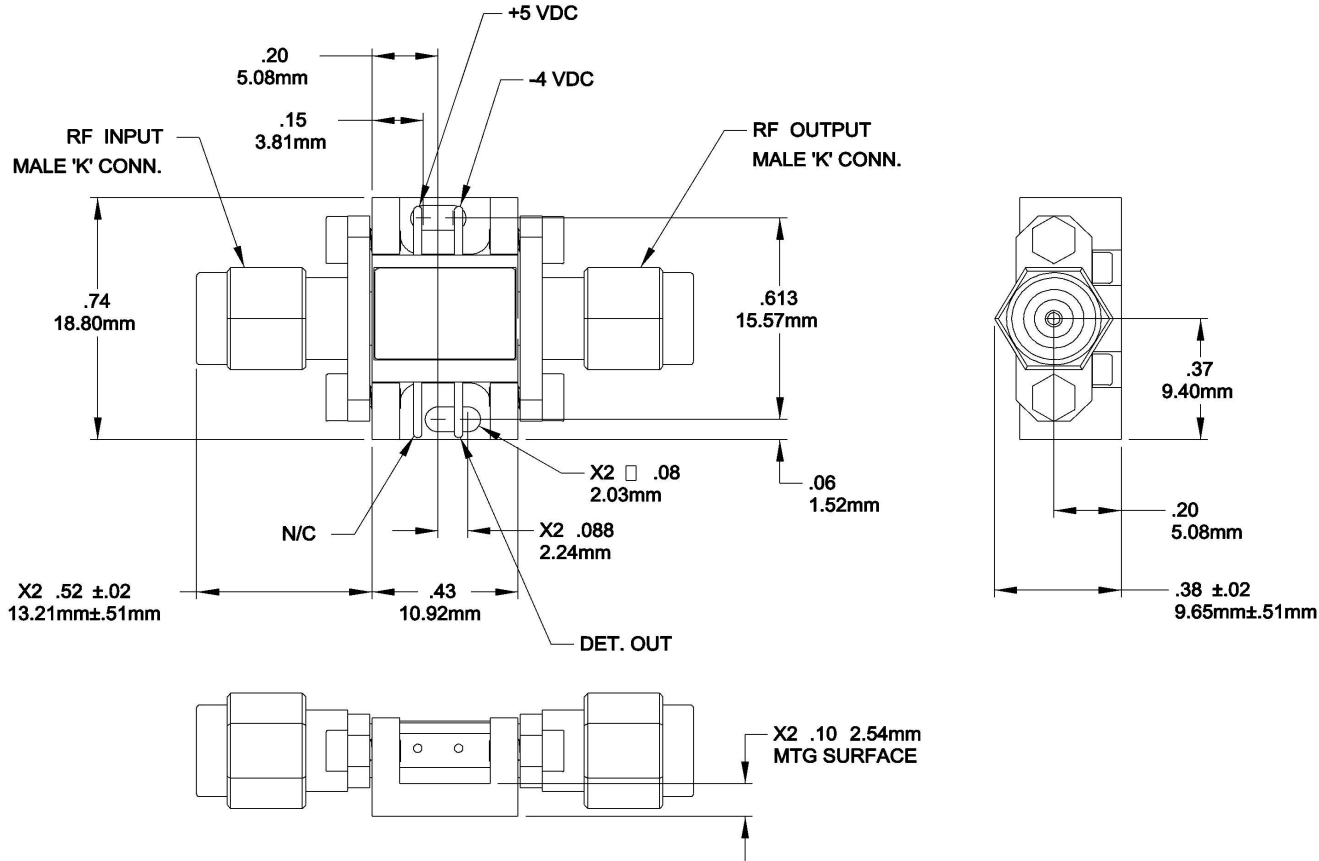


REVISIONS				
ZONE	LTR	DESCRIPTION	DATE	APPROVED
	A	INITIAL RELEASE	1/9/2006	<i>EgMarty</i>



NOTE:
1. SECONDARY DIMENSIONS ARE IN MILLIMETERS.

-5	-4	-3	-2	-1	NOMENCLATURE OR DESCRIPTION	SYM/NOTES	PART NO.	CODE IDENT.	ITEM NO.	
					QTY REQ'D	PARTS LIST				
UNLESS OTHERWISE SPECIFIED DIMENSIONS ARE IN INCHES TOLERANCES ON					DRN BY: <i>EgMarty</i> DATE: 1/9/2006 CHKD BY: <i>EgMarty</i> DATE: 2/7/2006		100 Davids Drive, Hauppauge, New York 11788			
DECIMALS .XX±.01 ANGLES .XXX±.005 ±0°30'					APPROVED BY:		OUTLINE, AMPLIFIER, Ka BAND, 30.0-31.0 GHz (MOD. JSD00482)			
MATERIAL					PROJ ENGR: <i>L. Joo</i> DATE: 2/7/2006 ENG SECT:		SIZE CODE IDENT. NO. REV. C 33592 166095 A			
FINISH					G.A.		SCALE REF SHEET 1 OF 1			
HEAT TREAT										
APPLICATION										