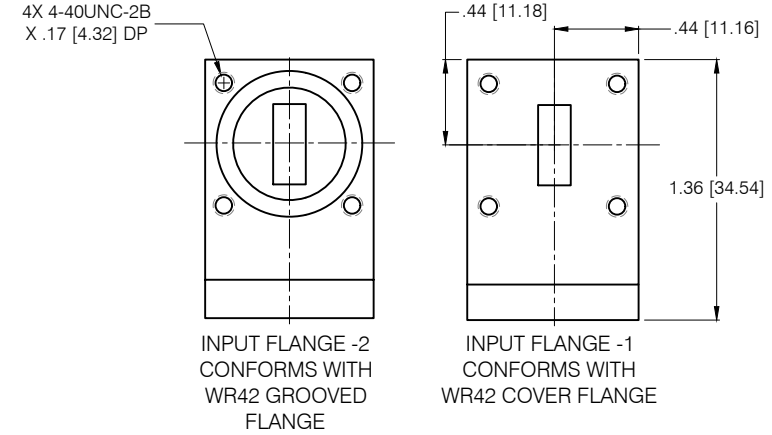
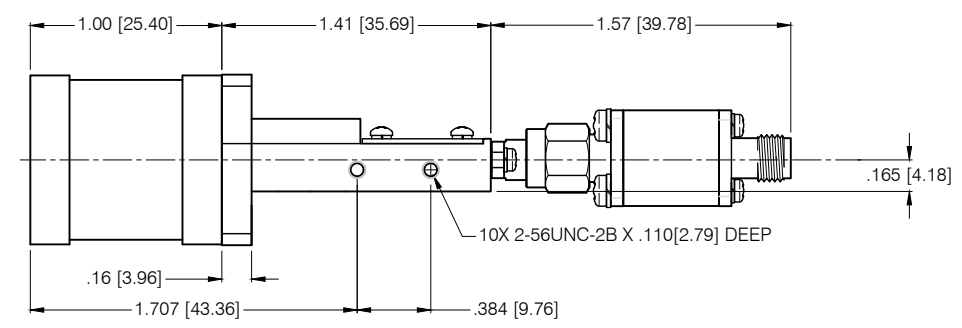
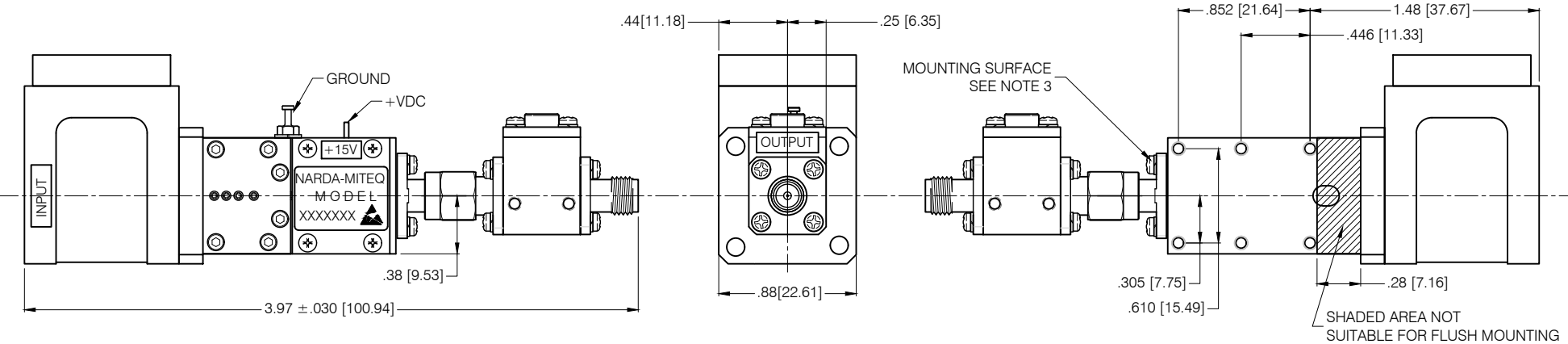
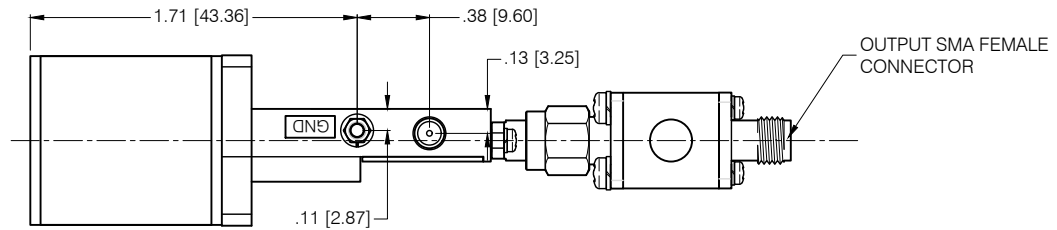


REVISIONS				
ZONE	LTR	DESCRIPTION	DATE	APPROVED
	G	INCORPORATE ECN 38504	05/31/17	rs



DASH NO.	FLANGE TYPE
-1	COVER
-2	GROOVED

- NOTES
- METRIC EQUIVALENTS ARE IN PARENTHESES.
  - EXTERIOR FINISH POLYURETHANE PAINT MIL-PRF-85285, S/G REFRIGERATOR WHITE.
  - MOUNTING SURFACE AND WAVEGUIDE FLANGE TO BE FREE OF PAINT.

<p><b>Narda-MITEQ PROPRIETARY</b> THIS DOCUMENT CONTAINS INFORMATION WHICH IS PROPRIETARY TO Narda-MITEQ. THE CONTENTS SHALL NOT BE DISCLOSED, COPIED, DISTRIBUTED, OR USED UNLESS AUTHORIZED BY AN OFFICER OF Narda-MITEQ.</p> <p>THESE ITEM(S)/TECHNOLOGY CONTAIN INFORMATION SUBJECT TO U.S. GOVERNMENT EXPORT CONTROL IN ACCORDANCE WITH THE EXPORT ADMINISTRATION REGULATIONS (EAR), 15 CFR PARTS 730-744. EXPORT OF THIS DATA TO ANY FOREIGN COUNTRY OR DISCLOSURE OF THIS DATA TO ANY NON-US PERSON MAY BE A VIOLATION OF FEDERAL LAW.</p>	<p>UNLESS OTHERWISE SPECIFIED DIMENSIONS ARE IN INCHES TOLERANCES ON</p> <p>DECIMALS .XX ± .01 .XXX ± .005</p> <p>ANGLES ± 0°30'</p>	<p>DRAWN NAME <b>WH</b> DATE 01/10/06</p> <p>DRAFT DESIGN rs 12/06/17</p> <p>APPROVED BY</p> <p>PROJ ENGR <b>Joseph Buonaiuto</b> 12/06/17</p> <p>MFG ENGR</p> <p>O.A.</p>	<p><b>narda MITEQ</b> 435 MORELAND RD HAUPPAUGE, NY 11788</p> <p><b>OUTLINE</b> <b>Ka BAND LNA</b> <b>WITH OUTPUT ISOLATOR</b></p> <p>SIZE <b>C</b> CODE IDENT. NO. <b>99899</b> REV. <b>G</b></p> <p>SCALE REF SHEET 1 OF 1</p>
	<p>PROJECTION </p> <p>MATERIAL</p> <p>FINISH</p> <p>NEXT ASSY USED ON</p> <p>APPLICATION</p>	<p>AUTOCAD FILE FORMAT</p>	

PRINT NOT ON AUTOMATIC DISTRIBUTION VERIFY REVISION PRIOR TO USE

165402

AUTOCAD 15.2021