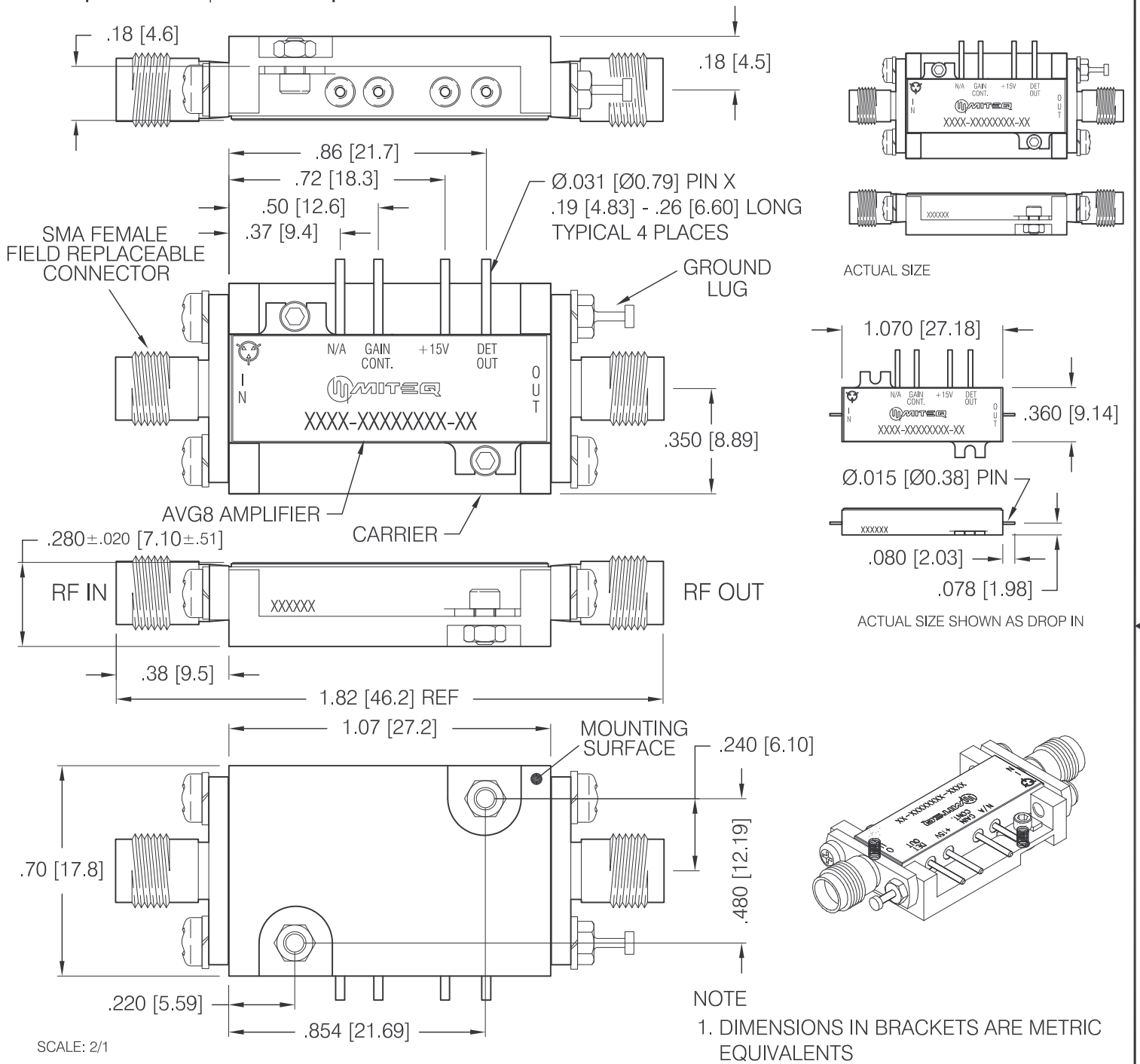



DASH NO.	APPLICATION		REVISIONS			
	NEXT ASSY	USED ON	LTR	DESCRIPTION	DATE	APPROVED
	141170		A	Initial Release	9/21/2005	<i>Ray S</i>



UNLESS OTHERWISE SPECIFIED DIMENSIONS ARE IN INCHES TOLERANCES ON	NAME	DATE	 100 Davids Drive, Hauppauge, New York 11788					
	DWN BY <i>Ray S</i>	9/21/2005						
	CHK BY <i>Ray S</i>	9/21/2005						
DECIMAL .XX ±.01 DECIMAL .XXX ±.005 ANGLES X° ±30'	PROJ ENGR <i>N. Shaikh</i>	9/27/2005	<b>STANDARD AVG/DET AMPLIFIER OUTLINE</b>					
	SECT HEAD					SIZE	CODE IDENT. NO.	REV
	Q.C.					A	33592	A
	CUST		SCALE	PROJECT	SHEET 1 OF 1			