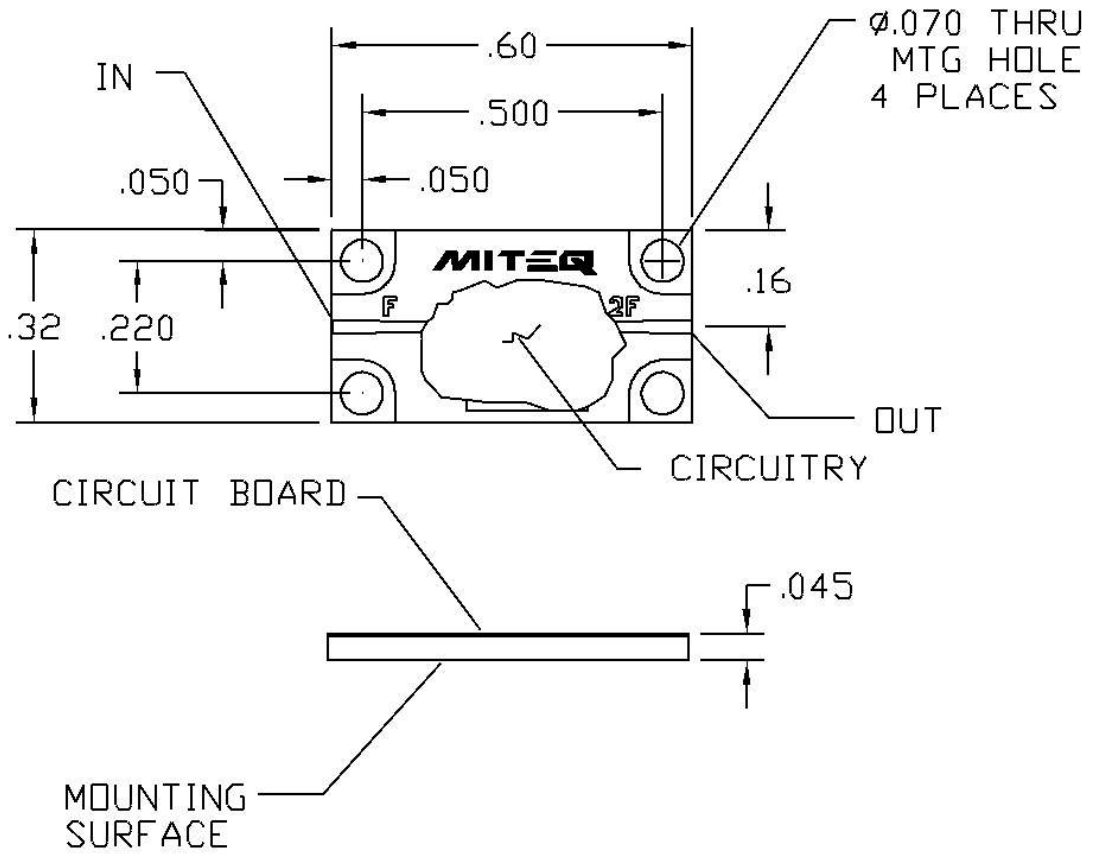


DASH NO.	APPLICATION		REVISIONS			
	NEXT ASSY	USED ON	LTR	DESCRIPTION	DATE	APPROVED
			A	INITIAL RELEASE	7/21/2005	L. Cardinal



MOUNTING SURFACE  
 MATERIAL: BRASS  
 FINISH: NICKEL PLATE

ALL PAGES ARE OF ORIGINAL ISSUE (A) EXCEPT AS NOTED.	CONTR NO. 75A005		 100 Davids Drive, Hauppauge, New York 11788	
	PREP BY <i>B. LaCCEBO</i>	DATE 7/21/2005		
UNLESS OTHERWISE SPECIFIED: DIMENSIONS ARE IN INCHES (MIN) TOLERANCES ON DECIMAL .XXX: .01 ANGLES ±0°30'	CHKD BY <i>L. Cardinal</i>	DATE 7/25/2005	OUTLINE DRAWING for 6-26 GHZ SURFACE MOUNT MULTIPLIER MODULE	
	PROJ ENGR <i>B. Jiang</i>	DATE 7/26/2005		
	APPROVAL (PROJ)		SIZE A	CODE IDENT. NO. 33592
	APPROVAL (GOVT)		SCALE	REV. A SHEET 1 OF 1