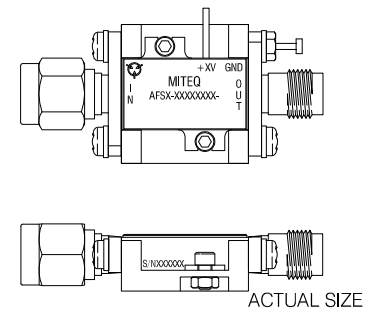
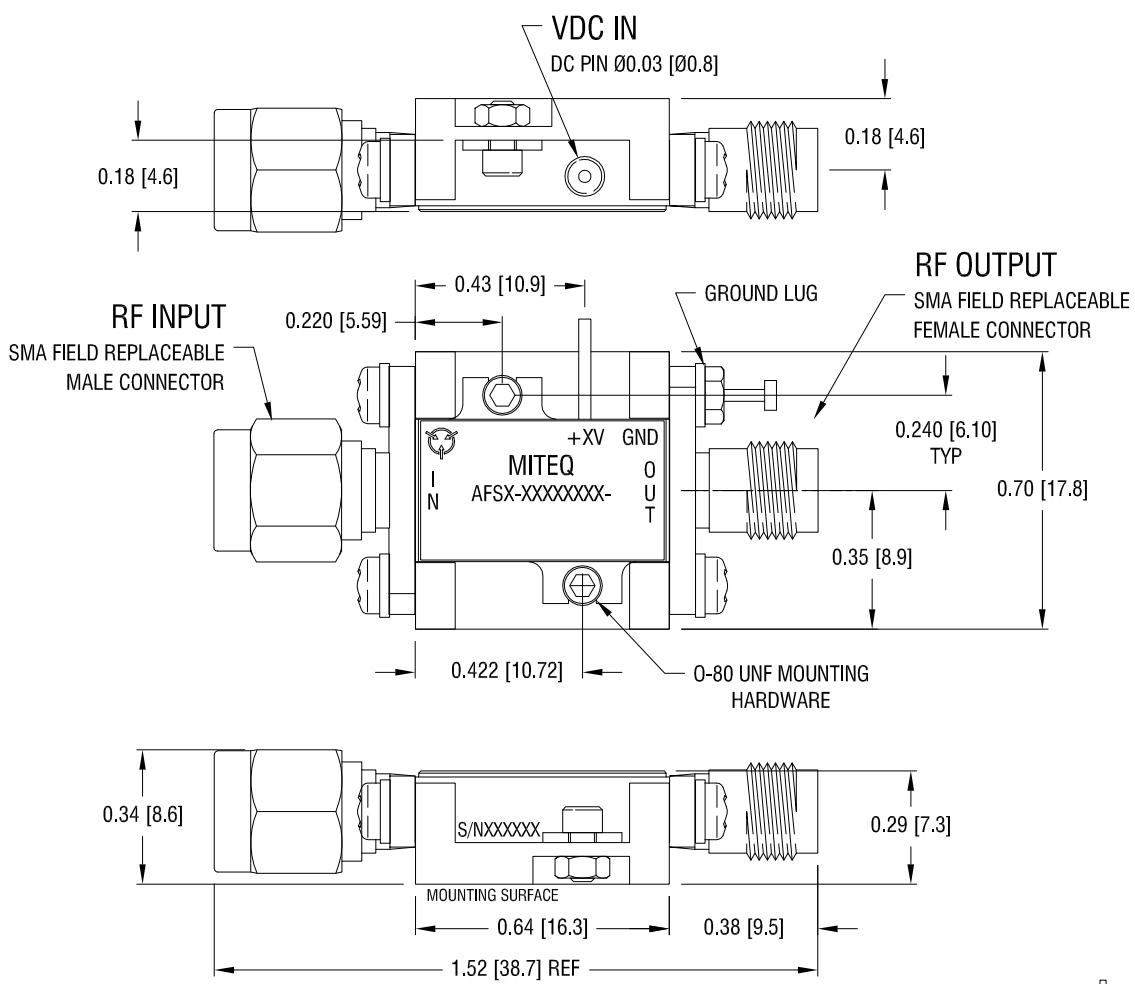


DASH NO.	APPLICATION		REVISIONS			
	NEXT ASSY	USED ON	LTR	DESCRIPTION	DATE	APPROVED
			B	Incorporated ECN 35766	06/15/05	<i>J. Bovaird</i>

PRINT NOT ON AUTOMATIC DISTRIBUTION VERIFY REVISION PRIOR TO USE




THIS TECHNICAL DATA IS CONTROLLED UNDER THE EXPORT ADMINISTRATION REGULATIONS (EAR) AND MAY NOT BE EXPORTED TO A FOREIGN PERSON, EITHER IN THE U.S. OR ABROAD, WITHOUT PROPER AUTHORIZATION BY THE U.S. DEPARTMENT OF COMMERCE.

L-3 PROPRIETARY
 THIS DOCUMENT CONTAINS INFORMATION WHICH IS PROPRIETARY TO L-3 COMMUNICATIONS CORPORATION. THE CONTENTS SHALL NOT BE DISCLOSED, COPIED, DISTRIBUTED OR USED UNLESS AUTHORIZED BY AN OFFICER OF L-3 COMMUNICATIONS

NOTE
 1. DIMENSIONS IN BRACKETS ARE METRIC EQUIVALENTS

UNLESS OTHERWISE SPECIFIED DIMENSIONS ARE IN INCHES TOLERANCES ON	NAME	DATE
	DWN <i>R.P.</i>	06/15/05
DECIMAL .X ±0.1 [2.5] DECIMAL .XX ±0.01 [0.25] DECIMAL .XXX ±0.005 [0.13] ANGLES X° ±30'	DFT DES <i>J. Bovaird</i>	06/28/16
	PROJ ENGR <i>Joseph Buonaiuto</i>	07/11/16
PROJECTION	MFG ENGR	
AUTOCAD FILE FORMAT	Q.C.	
	CUST	



435 Moreland Rd. Hauppauge, New York 11788

AFS4 AMPLIFIER WITH MALE INPUT OUTLINE

SIZE A	CODE IDENT. NO. 33592	161947	REV B
SCALE	PROJECT	SHEET	OF