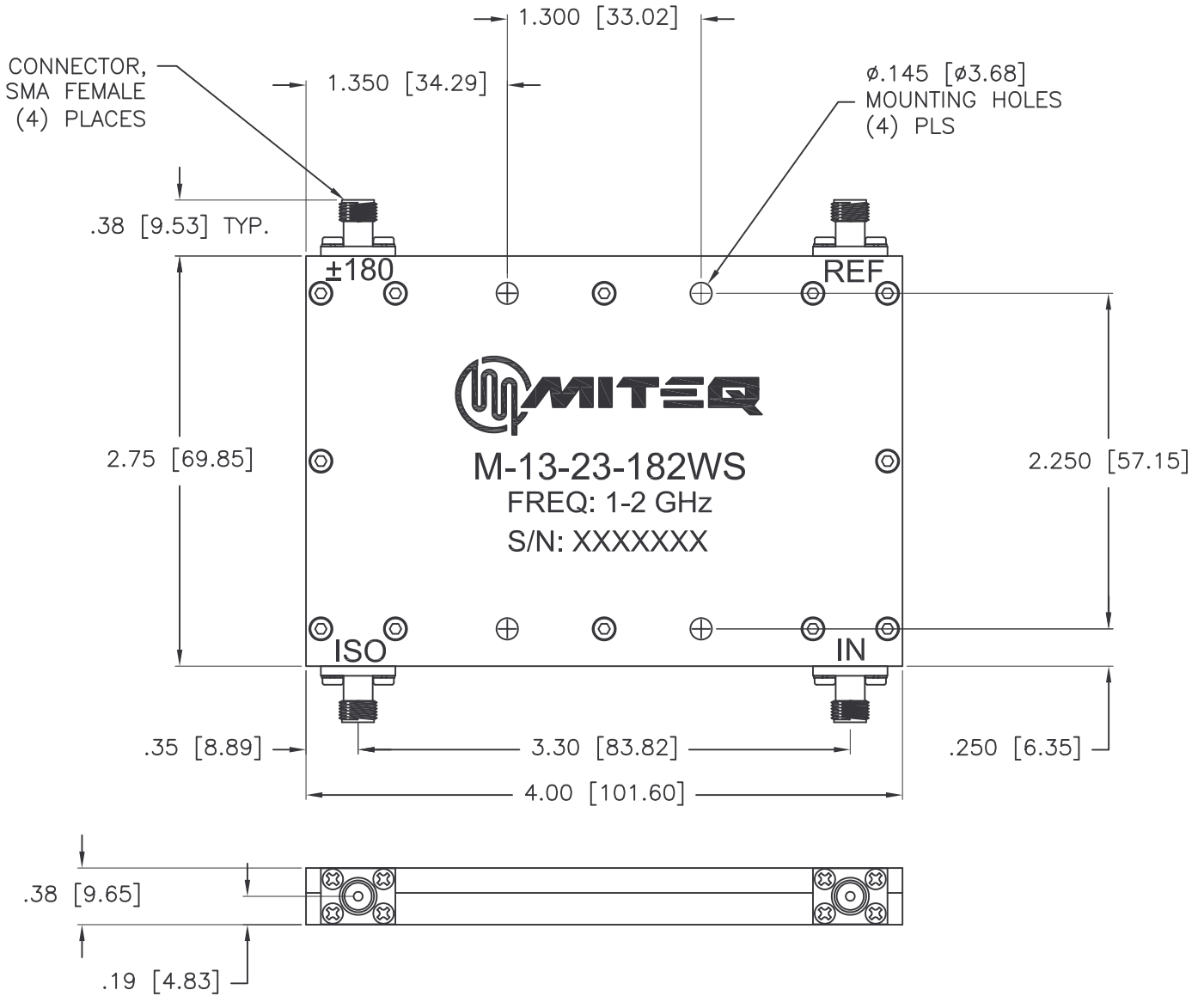



DASH NO.	APPLICATION		REVISIONS			
	NEXT ASSY	USED ON	LTR	DESCRIPTION	DATE	APPROVED
			C	INCORPORATED ECN 21713	11/21/11	<i>J. Campisi</i>



**NOTES:**

1. MATERIAL: ALUMINUM ALLOY 6061-T6.
2. FINISH: TRIVALENT CHROMATE CONVERSION IAW MIL-DTL-5541, TYPE II, CLASS 3.

ALL PAGES ARE OF ORIGINAL ISSUE (A) EXCEPT AS NOTED.	CONTR NO. 38POD77		 100 Davids Drive, Hauppauge, New York 11788	
	PREP BY <i>S. Smith</i>	DATE 08/16/04		
UNLESS OTHERWISE SPECIFIED DIMENSIONS ARE IN INCHES (MM) TOLERANCES ON DECIMAL ANGLES .XX±.01 XXX±.005 ±0°30'	CHKD BY <i>J. Campisi</i>	DATE 11/29/11	OUTLINE DRAWING CONNECTORIZED 180 DEG. COUPLER M-13-23-182WS	
	PROJ ENGR <i>W. Davidsson</i>	DATE 12/20/11		
	APPROVAL (PROJ)		SIZE A	CODE IDENT. NO. 33592
APPROVAL (GOVT)		SCALE	REV. C	SHEET 1 OF 1