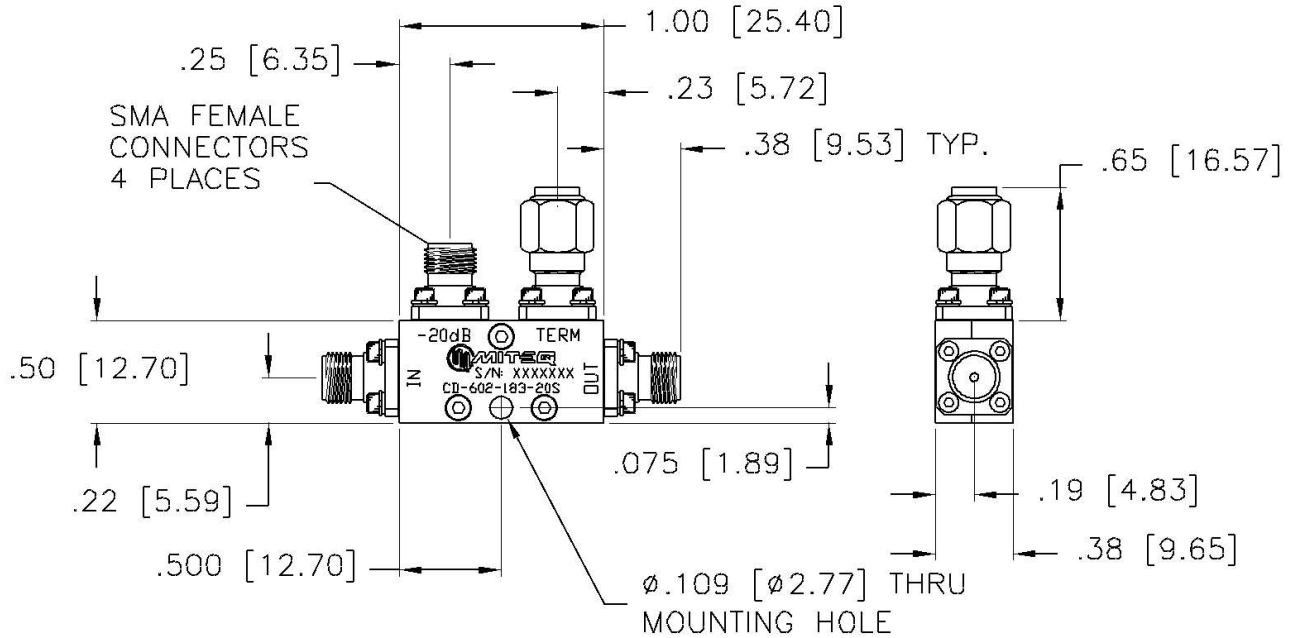
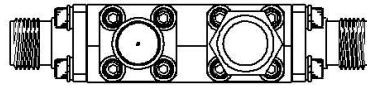


DASH NO.	APPLICATION		REVISIONS			
	NEXT ASSY	USED ON	LTR	DESCRIPTION	DATE	APPROVED
			B	Incorporated ECN 9851	09/19/08	M. Hammon



NOTE:

1. MATERIAL: ALUMINUM ALLOY 6061-T6
2. FINISH: TRIVALENT CHROME CONVERSION
IAW MIL-DTL-5541F, TYPE II, CLASS-3

ALL PAGES ARE OF ORIGINAL ISSUE (A) EXCEPT AS NOTED.	CONTR. NO.		 100 Davids Drive, Hauppauge, New York 11788			
	PREP BY	NAME				
	Scott Smith		04/17/06			
	CHKD BY	M. Hammon	10/02/08	OUTLINE DWG., DIRECTIONAL COUPLER, CD-602-183-20S		
	PROJ ENGR	W. Davidsson	10/02/08			
	APPROVAL (PROJ)		SIZE	CODE IDENT. NO.	159670	
	APPROVAL (GOVT)		A	33592		
			SCALE	REV.	B	SHEET 1 OF 1