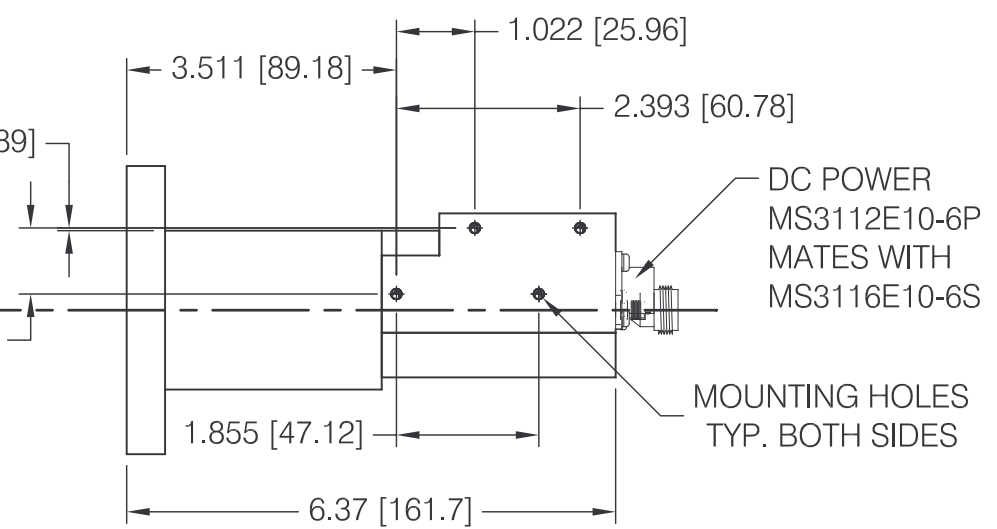


PIN ASSIGNMENT TABLE	
A	+15 VDC
B	GROUND
C	GROUND
D	NORMALLY OPEN (OPTIONAL)
E	COMMON (OPTIONAL)
F	NORMALLY CLOSED (OPTIONAL)

REVISIONS				
ZONE	LTR	DESCRIPTION	DATE	APPROVED
	C	Incorporated ECN 8586	05/12/08	<i>J.J. Bovaird</i>



DASH NUMBER TABLE	
DASH	INPUT / OUTPUT
1	CPR340F (COVER) INPUT, "SMA" OUTPUT
2	CPR340G (GROOVED) INPUT, "SMA" OUTPUT
3	CPR340F (COVER) INPUT, "N" OUTPUT
4	CPR340G (GROOVED) INPUT, "N" OUTPUT

-5	-4	-3	-2	-1	NOMENCLATURE OR DESCRIPTION	SYM/NOTES	PART NO.	CODE IDENT.	ITEM NO.						
					PARTS LIST										
UNLESS OTHERWISE SPECIFIED DIMENSIONS ARE IN INCHES TOLERANCES ON					DRN BY	<i>J. REPULVEDA</i>	DATE	11/02/04	 100 Davids Drive, Hauppauge, New York 11788 <b>OUTLINE WAVEGUIDE S BAND LNA</b>						
DECIMALS ANGLES					CHKD BY	<i>J.J. Bovaird</i>	06/09/08								
.XX±.01 .XXX±.005 ±0°30'					APPROVED BY										
MATERIAL					PROJ ENGR	<i>John Repulveda</i>	06/10/08								
FINISH					ENG SECT										
CONTACT 118183-16					<table border="1"> <tr> <td>SIZE</td> <td>CODE IDENT. NO.</td> <td>REV.</td> </tr> <tr> <td>C</td> <td>33592</td> <td>C</td> </tr> </table>					SIZE	CODE IDENT. NO.	REV.	C	33592	C
SIZE	CODE IDENT. NO.	REV.													
C	33592	C													
COVER 148028															
LAUNCH 159565															
HOUSING 159517															
NEXT ASSY USED ON					SCALE REF 162919 SHEET 1 OF 1										
APPLICATION															

159554

**VIEW A-A**