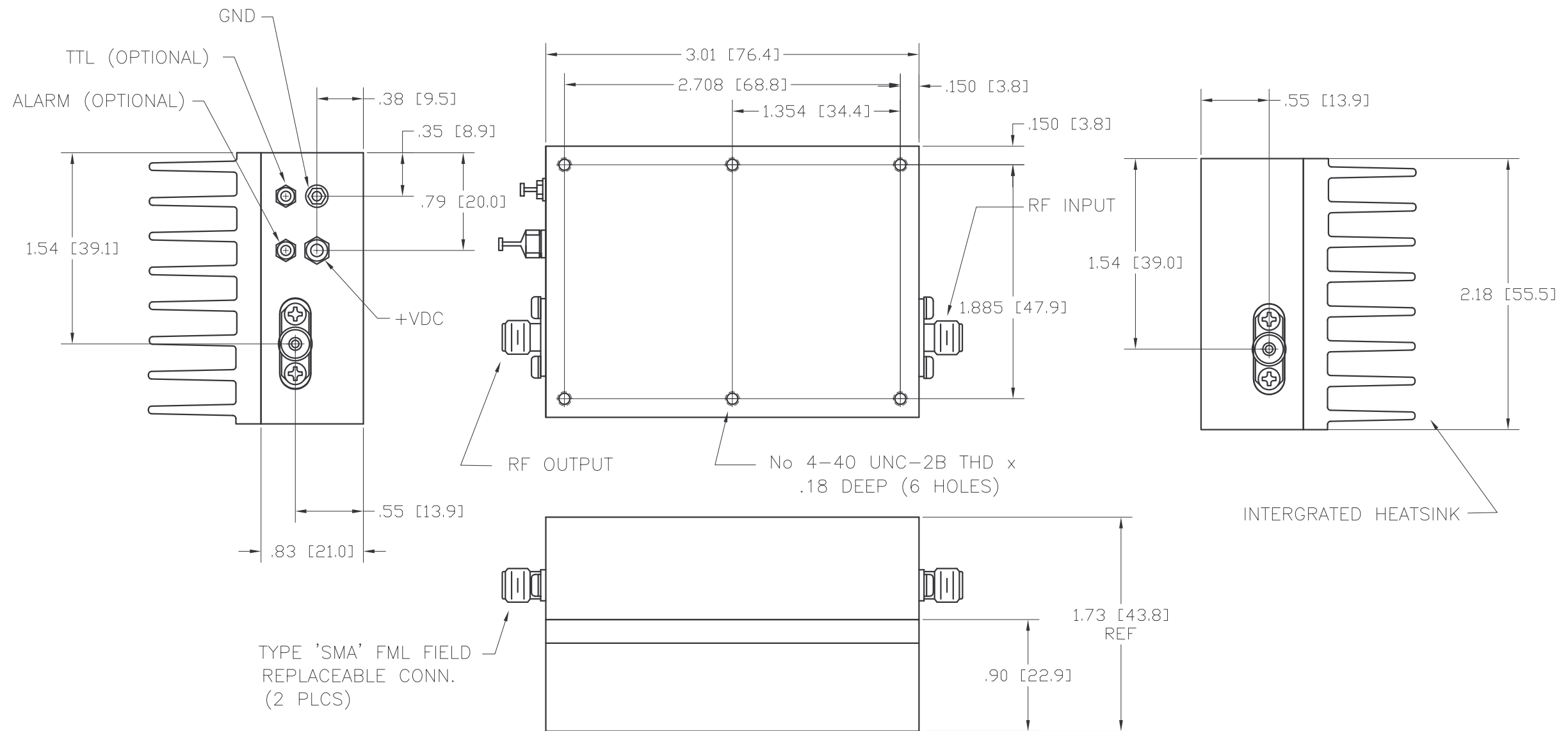



REVISIONS				
ZONE	LTR	DESCRIPTION	DATE	APPROVED
	B	Incorporated ECN 8602	05/28/08	E. Pierno



-5	-4	-3	-2	-1	NOMENCLATURE OR DESCRIPTION	SYM/NOTES	PART NO.	CODE IDENT.	ITEM NO.
					UNLESS OTHERWISE SPECIFIED DIMENSIONS ARE IN INCHES TOLERANCES ON DECIMALS ANGLES .XX±.01 .XXX±.005 ±0°30'	DRN BY <i>A. Russell</i> 06/17/04 CHKD BY <i>E. Pierno</i> 07/18/08 APPROVED BY <i>Michael Kost</i> 07/18/08	 100 Davids Drive, Hauppauge, New York 11788 <b>OUTLINE</b> <b>6-18 GHz WIDEBAND AMPLIFIER W/HEATSINK</b>		
					MATERIAL				
					FINISH				
					HEAT TREAT				
					APPLICATION				
							SIZE C	CODE IDENT. NO. 33592	REV. B
							SCALE	REF 45D219	SHEET 1 OF 1

157681